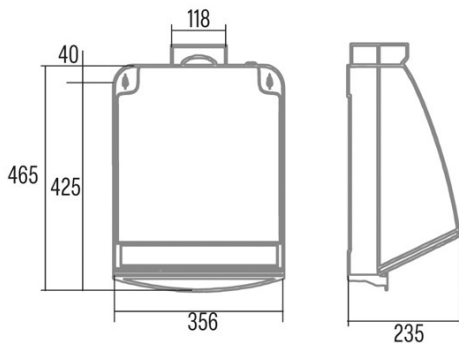




# PROFESSIONAL-750

Cod. 00117000

EAN 8422248100816



## INFORMACIÓN GENERAL

EAN/UPC	8422248100816
Subfamily	Kitchen Extractor

### Product fiche according to directives EU65/2014 - EN61591, EN60704-2-13, EN50564

AEC (Energy consumption per year) (kWh/año)	57
EEL class (Energy efficiency class)	D
FDE (Fluid dynamic efficiency)	8,7
FDE class (Fluid dynamic efficiency class)	E
LE class (Light efficiency class)	N_A
GFE (Grease filtering efficiency)	53,7
GFE Class (Grease filtering efficiency class)	F
Normal mode airflow MAX (m3/h)	600
Normal mode acustic power MAX (dB)	49
Po (Off-mode power consumption) (W)	0
Ps (Stand-by power consumption) (W)	0

### Integration directive EU 66/2014

f (Factor Increase in the time)	1,7
EEL (Energy efficiency Index)	86
QBEP (Maximum airflow point efficiency) (m3/h)	278,9
PBEP (Maximum pressure point efficiency) (Pa)	102,9
WBEP (Electrical power consumption at maximum efficiency) (W)	91,9

### External Dimensions

Width (mm)	356
Depth (mm)	235
Minimum Total Height (mm)	650
Outlet Diameter (mm)	118

### Characteristics

Motor Quantity	1
Maximum Pressure (Pa)	190
Free Outlet Airflow (m3/h)	600
Filter Technology	Malla
Booster	-
Timer	-
Filter Saturation Indicator	-
Charcoal Filter Change Indicator	-
Remote control	-

### Installation

Minimum distance to an electric cooktop (mm)	65
Minimum distance to a gas cooktop (mm)	650
Recirculation Option	-
Charcoal Filter	-
Back Draught Shutter	-
Inner shield	-

### Electric Connection

Rated voltage (V)	230
Rated frequency (Hz)	50
Rated power input (W)	105
Protection against electric shock	Class I
Power cord length (m)	0,5
Plug type	No plug

### Accessories

Upper Decorative Duct Extension	N_A
White Decorative Duct	N_A

Black Decorative Duct	N_A
Island Tube Enhancer	N_A
Back Draught Shutter	N_A
MAX PRO Metal Filter	N_A
Active Charcoal Filter	N_A
Noiseless Flexible Duct	N_A
Recirculating kit	N_A