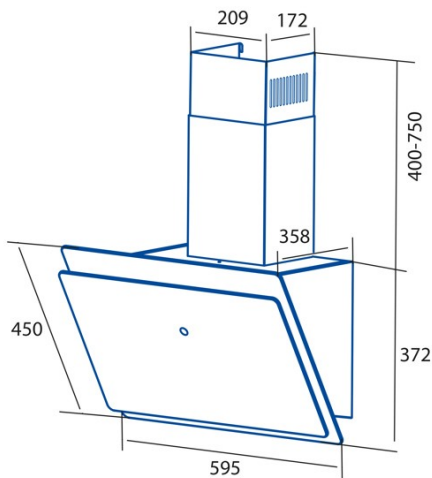




WANDA 600 XGBK

Cod. **02027210**

EAN **8422248102322**



INFORMACIÓN GENERAL

| | |
|-----------|---------------|
| EAN/UPC | 8422248102322 |
| Subfamily | Angle Glass |

Product fiche according to directives EU65/2014 - EN61591, EN60704-2-13, EN50564

| | |
|---|--------|
| AEC (Energy consumption per year) (kWh/año) | 14,94 |
| EEL class (Energy efficiency class) | AP |
| FDE (Fluid dynamic efficiency) | 31,01 |
| FDE class (Fluid dynamic efficiency class) | A |
| LE (Light efficiency) (lux/W) | 54,6 |
| LE class (Light efficiency class) | A |
| GFE (Grease filtering efficiency) | 78 |
| GFE Class (Grease filtering efficiency class) | C |
| Normal mode airflow MIN (m3/h) | 234,1 |
| Normal mode airflow MAX (m3/h) | 522,81 |
| Normal mode acoustic power MIN (dB) | 35 |
| Normal mode acoustic power MAX (dB) | 61,8 |
| Po (Off-mode power consumption) (W) | 0,45 |

Integration directive EU 66/2014

| | |
|---|--------|
| f (Factor Increase in the time) | 0,883 |
| EEL (Energy efficiency Index) | 38,6 |
| QBEP (Maximum airflow point efficiency) (m3/h) | 248,01 |
| PBEP (Maximum pressure point efficiency) (Pa) | 178,05 |
| WBEP (Electrical power consumption at maximum efficiency) (W) | 39,55 |
| WL (Rated power lighting system) (W) | 3 |
| EMIDDLE (Average illuminance on the cooking surface) (lux) | 163,8 |

External Dimensions

| | |
|---------------------------|------|
| Width (mm) | 595 |
| Depth (mm) | 358 |
| Maximum Total Height (mm) | 1122 |
| Minimum Total Height (mm) | 772 |
| Outlet Diameter (mm) | 150 |

Characteristics

| | |
|----------------------------------|--------------------------|
| Motor Quantity | 1 |
| Motor Model | BLDC |
| Maximum Pressure (Pa) | 430 |
| Free Outlet Airflow (m3/h) | 1000 |
| Filter Technology | Aluminium mesh |
| Control Technology | Electronic Touch Control |
| Booster | - |
| Power levels | 9 |
| Timer | √ |
| Filter Saturation Indicator | - |
| Charcoal Filter Change Indicator | - |
| Dimmer Function | - |
| Connectivity | - |
| Remote control | - |
| Display | Display |

Lighting

| | |
|---------------------|-----|
| Lighting Technology | LED |
|---------------------|-----|

Installation

| | |
|--|-----|
| Minimum distance to an electric cooktop (mm) | 650 |
| Minimum distance to a gas cooktop (mm) | 650 |
| Recirculation Option | √ |
| Charcoal Filter | - |

| | |
|----------------------|----------|
| Back Draught Shutter | Included |
| Inner shield | - |

Electric Connection

| | |
|-----------------------------------|---------|
| Rated voltage (V) | 220-240 |
| Rated frequency (Hz) | 50/60 |
| Rated power input (W) | 73 |
| Protection against electric shock | Class I |
| Plug type | Type F |

Accessories

| | |
|---------------------------------|----------|
| Upper Decorative Duct Extension | No |
| White Decorative Duct | No |
| Black Decorative Duct | No |
| Island Tube Enhancer | No |
| Back Draught Shutter | Included |
| MAX PRO Metal Filter | No |
| Active Charcoal Filter | 2859492 |
| Noiseless Flexible Duct | 2893002 |
| Recirculating kit | 2894400 |
