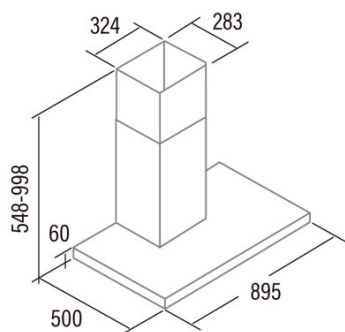




ST-9000 X

Cod. 02029309

EAN 8422248108706



INFORMACIÓN GENERAL

EAN/UPC	8422248108706
Subfamily	Box

Product fiche according to directives EU65/2014 - EN61591, EN60704-2-13, EN50564

AEC (Energy consumption per year) (kWh/año)	36,4
EEl class (Energy efficiency class)	C
FDE (Fluid dynamic efficiency)	10,12
FDE class (Fluid dynamic efficiency class)	E
LE (Light efficiency) (lux/W)	38,9
LE class (Light efficiency class)	A
GFE (Grease filtering efficiency)	70,56
GFE Class (Grease filtering efficiency class)	D
Normal mode airflow MIN (m3/h)	165
Normal mode airflow MAX (m3/h)	302
Normal mode acustic power MIN (dB)	58
Normal mode acustic power MAX (dB)	62
Po (Off-mode power consumption) (W)	0

Integration directive EU 66/2014

f (Factor Increase in the time)	1,6
EEl (Energy efficiency Index)	74,9
QBEP (Maximum airflow point efficiency) (m3/h)	192,63
PBEP (Maximum pressure point efficiency) (Pa)	110,53
WBEP (Electrical power consumption at maximum efficiency) (W)	58,45
WL (Rated power lighting system) (W)	2
EMIDDLE (Average illuminance on the cooking surface) (lux)	79

External Dimensions

Width (mm)	900
Depth (mm)	500
Maximum Total Height (mm)	998
Minimum Total Height (mm)	548
Outlet Diameter (mm)	150

Characteristics

Motor Quantity	1
Motor Model	TT300
Filter Technology	Aluminium mesh
Control Tecnology	Mechanical slider
Booster	-
Power levels	3
Timer	-
Filter Saturation Indicator	-
Charcoal Filter Change Indicator	-
Dimmer Function	-
Connectivity	No
Remote control	-
Display	-

Lighting

Light Model	ECOLED STRIP
Lightning Technology	LED

Installation

Minimum distance to an electric cooktop (mm)	65
Minimum distance to a gas cooktop (mm)	65
Recirculation Option	√
Charcoal Filter	-
Back Draught Shutter	Included

Inner shield -

Electric Connection

Rated voltage (V)	220-240
Rated frequency (Hz)	50/60
Rated power input (W)	67
Protection against electric shock	Class I
Plug type	Type C

Accessories

Upper Decorative Duct Extension	'02863305
Back Draught Shutter	Yes
Active Charcoal Filter	02859495
Noiseless Flexible Duct	02893002
