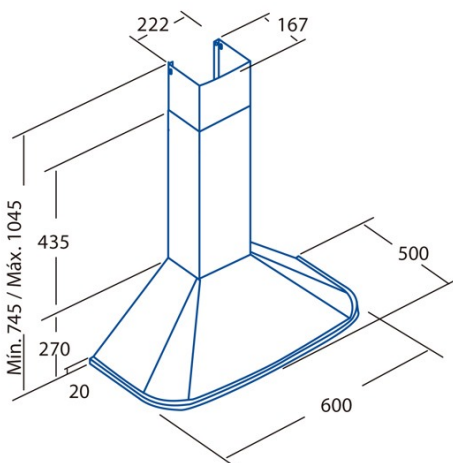




NEBLIA 600 X

Cod. **02052300**

EAN **8422248017602**



INFORMACIÓN GENERAL

| | |
|-----------|---------------|
| EAN/UPC | 8422248017602 |
| Subfamily | Chimney |

External Dimensions

| | |
|---------------------------|----------|
| Width (mm) | 900 |
| Depth (mm) | 560 |
| Maximum Total Height (mm) | 1140 |
| Minimum Total Height (mm) | 720 |
| Outlet Diameter (mm) | 150, 125 |

Characteristics

| | |
|----------------------------------|------------------------|
| Motor Quantity | 1 |
| Motor Model | TA |
| Maximum Pressure (Pa) | 430 |
| Free Outlet Airflow (m3/h) | 1115 |
| Filter Technology | Aluminium mesh |
| Control Technology | Mechanical push button |
| Booster | - |
| Power levels | 3 |
| Timer | - |
| Filter Saturation Indicator | - |
| Charcoal Filter Change Indicator | - |
| Dimmer Function | - |
| Connectivity | - |
| Remote control | - |
| Display | - |

Lighting

| | |
|----------------------|-------------|
| Light Model | Halogen_E14 |
| Lightning Technology | Halogen |

Installation

| | |
|--|-----|
| Minimum distance to an electric cooktop (mm) | 650 |
| Minimum distance to a gas cooktop (mm) | 650 |
| Recirculation Option | √ |
| Charcoal Filter | - |
| Back Draught Shutter | - |
| Inner shield | - |

Electric Connection

| | |
|-----------------------------------|----------|
| Rated voltage (V) | 220-240 |
| Rated frequency (Hz) | 50 |
| Rated power input (W) | 277 |
| Protection against electric shock | Class II |
| Power cord length (m) | 1,5 |
| Plug type | Type C |

Accessories

| | |
|---------------------------------|---------|
| Upper Decorative Duct Extension | 2885300 |
| White Decorative Duct | No |
| Black Decorative Duct | No |
| Island Tube Enhancer | No |
| Back Draught Shutter | 2832001 |
| MAX PRO Metal Filter | 2800917 |
| Active Charcoal Filter | 2859391 |
| Noiseless Flexible Duct | 2893002 |
| Recirculating kit | No |

