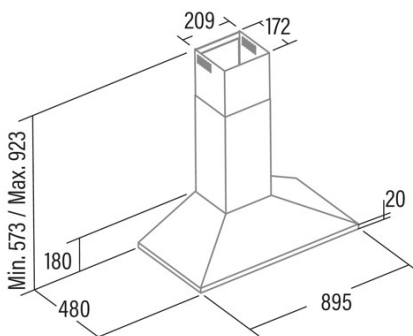




V3-T900 X

Cod. 02063399

EAN 8422248095303



INFORMACIÓN GENERAL

EAN/UPC	8422248095303
Subfamily	Chimney

Product fiche according to directives EU65/2014 - EN61591, EN60704-2-13, EN50564

AEC (Energy consumption per year) (kWh/año)	29,8
EEl class (Energy efficiency class)	B
FDE (Fluid dynamic efficiency)	13,9
FDE class (Fluid dynamic efficiency class)	D
LE (Light efficiency) (lux/W)	44
LE class (Light efficiency class)	A
GFE (Grease filtering efficiency)	65,3
GFE Class (Grease filtering efficiency class)	D
Normal mode airflow MIN (m3/h)	166,7
Normal mode airflow MAX (m3/h)	346,1
Normal mode acustic power MIN (dB)	51
Normal mode acustic power MAX (dB)	66
Po (Off-mode power consumption) (W)	0

Integration directive EU 66/2014

f (Factor Increase in the time)	1,5
EEl (Energy efficiency Index)	66,4
QBEP (Maximum airflow point efficiency) (m3/h)	202,1
PBEP (Maximum pressure point efficiency) (Pa)	129
WBEP (Electrical power consumption at maximum efficiency) (W)	52,1
WL (Rated power lighting system) (W)	1,7
EMIDDLE (Average illuminance on the cooking surface) (lux)	74

External Dimensions

Width (mm)	595
Depth (mm)	480
Maximum Total Height (mm)	923
Minimum Total Height (mm)	573
Outlet Diameter (mm)	150

Characteristics

Motor Quantity	1
Motor Model	TT300
Maximum Pressure (Pa)	173,3
Filter Technology	Aluminium mesh
Control Tecnology	Mechanical push button
Power levels	3
Timer	-
Filter Saturation Indicator	-
Charcoal Filter Change Indicator	-
Dimmer Function	-
Connectivity	No
Remote control	-
Display	-

Lighting

Light Model	CSLED
Lightning Technology	LED

Installation

Recirculation Option	√
Charcoal Filter	-
Back Draught Shutter	Included
Inner shield	-

Electric Connection

Rated voltage (V)	220-240
Rated frequency (Hz)	50
Rated power input (W)	65
Protection against electric shock	Class I
Plug type	No plug

Accessories

Active Charcoal Filter	02859495
------------------------	----------
