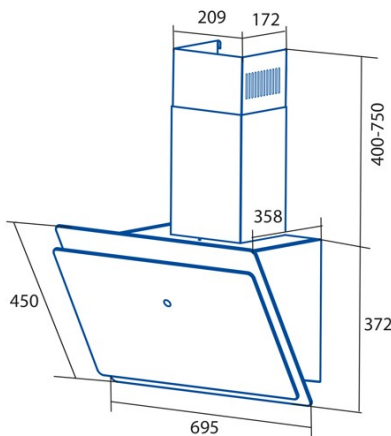




WANDA 700 XGBK

Cod. **02078405**

EAN **190**



INFORMACIÓN GENERAL

EAN/UPC	190
Subfamily	Angle Glass

Product fiche according to directives EU65/2014 - EN61591, EN60704-2-13, EN50564

AEC (Energy consumption per year) (kWh/año)	14,94
FDE class (Fluid dynamic efficiency class)	A
LE (Light efficiency) (lux/W)	54,6
LE class (Light efficiency class)	A
GFE (Grease filtering efficiency)	78
GFE Class (Grease filtering efficiency class)	C
Normal mode airflow MIN (m3/h)	234,1
Normal mode airflow MAX (m3/h)	522,81
Normal mode acustic power MAX (dB)	61,8
Po (Off-mode power consumption) (W)	0,45

Integration directive EU 66/2014

f (Factor Increase in the time)	Inspection Report
EI (Energy efficiency Index)	38,6
QBEP (Maximum airflow point efficiency) (m3/h)	248,01
PBEP (Maximum pressure point efficiency) (Pa)	178,05
WBEP (Electrical power consumption at maximum efficiency) (W)	39,55
WL (Rated power lighting system) (W)	3

External Dimensions

Width (mm)	695
Depth (mm)	358
Maximum Total Height (mm)	1122
Minimum Total Height (mm)	772
Outlet Diameter (mm)	150

Characteristics

Motor Quantity	√
Maximum Pressure (Pa)	430
Free Outlet Airflow (m3/h)	Product Identity Declaration
Filter Technology	Aluminium mesh
Control Tecnology	Electronic Touch Control
Booster	-
Power levels	9
Timer	√
Filter Saturation Indicator	-
Charcoal Filter Change Indicator	-
Dimmer Function	-
Connectivity	-
Remote control	-
Display	Display

Lighting

Light Model	0
Lightning Technology	LED

Installation

Minimum distance to a gas cooktop (mm)	650
Recirculation Option	√
Charcoal Filter	-
Back Draught Shutter	Included
Inner shield	-

Electric Connection

Rated frequency (Hz)	50/60
----------------------	-------

Rated power input (W)	73
Protection against electric shock	Class I
Plug type	Type F

Accessories

Upper Decorative Duct Extension	No
White Decorative Duct	No
Black Decorative Duct	No
MAX PRO Metal Filter	No
Active Charcoal Filter	2859492
Noiseless Flexible Duct	2893002
Recirculating kit	2894400
