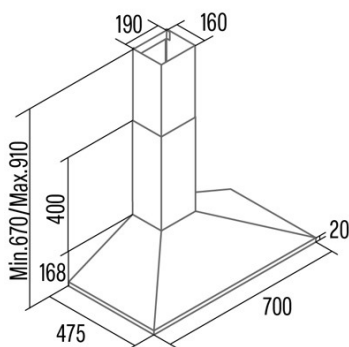




CAMPANA, VK 7000 X

Cod. **02085602**

EAN **8422248371193**



INFORMACIÓN GENERAL

| | |
|-----------|---------------|
| EAN/UPC | 8422248371193 |
| Subfamily | Angle Glass |

Product fiche according to directives EU65/2014 - EN61591, EN60704-2-13, EN50564

| | |
|---|-------|
| AEC (Energy consumption per year) (kWh/año) | 26,2 |
| EEl class (Energy efficiency class) | A |
| FDE (Fluid dynamic efficiency) | 28,4 |
| FDE class (Fluid dynamic efficiency class) | A |
| LE (Light efficiency) (lux/W) | 67 |
| LE class (Light efficiency class) | A |
| GFE (Grease filtering efficiency) | 70,1 |
| GFE Class (Grease filtering efficiency class) | D |
| Normal mode airflow MIN (m3/h) | 174,3 |
| Normal mode airflow MAX (m3/h) | 477,3 |
| Normal mode acustic power MIN (dB) | 56 |
| Normal mode acustic power MAX (dB) | 69 |
| Po (Off-mode power consumption) (W) | 0 |

Integration directive EU 66/2014

| | |
|---|-------|
| EEl (Energy efficiency Index) | 49,2 |
| QBEP (Maximum airflow point efficiency) (m3/h) | 258,8 |
| PBEP (Maximum pressure point efficiency) (Pa) | 260 |
| WBEP (Electrical power consumption at maximum efficiency) (W) | 65,9 |
| WL (Rated power lighting system) (W) | 3 |
| EMIDDLE (Average illuminance on the cooking surface) (lux) | 200 |

External Dimensions

| | |
|----------------------|-----|
| Outlet Diameter (mm) | 150 |
|----------------------|-----|

Characteristics

| | |
|-----------------------------|------------------------|
| Motor Model | K10 450 B |
| Control Technology | Mechanical push button |
| Power levels | 3 |
| Filter Saturation Indicator | - |

Lighting

| | |
|----------------------|-------|
| Light Model | CSLED |
| Lightning Technology | LED |

Installation

| | |
|----------------------|----|
| Back Draught Shutter | No |
|----------------------|----|

Electric Connection

| | |
|-----------------------------------|----------|
| Rated voltage (V) | 220-240 |
| Rated frequency (Hz) | 50 |
| Protection against electric shock | Class II |
| Plug type | No plug |