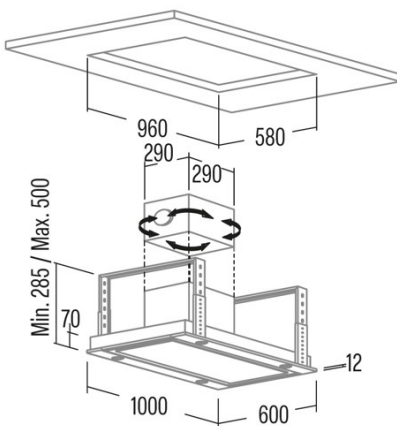
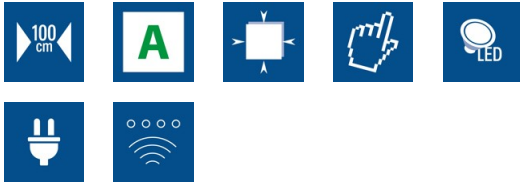




ISLA SIRIN 1000 GWH

Cod. **02111002**

EAN **8422248097437**



INFORMACIÓN GENERAL

EAN/UPC	8422248097437
Subfamily	Ceiling

Product fiche according to directives EU65/2014 - EN61591, EN60704-2-13, EN50564

AEC (Energy consumption per year) (kWh/año)	58,9
EEL class (Energy efficiency class)	A
FDE (Fluid dynamic efficiency)	31,5
FDE class (Fluid dynamic efficiency class)	A
LE (Light efficiency) (lux/W)	36,6
LE class (Light efficiency class)	A
GFE (Grease filtering efficiency)	91,2
GFE Class (Grease filtering efficiency class)	B
Normal mode airflow MIN (m3/h)	340
Normal mode airflow MAX (m3/h)	600
Boost mode airflow (m3/h)	850
Normal mode acoustic power MIN (dB)	50
Normal mode acoustic power MAX (dB)	65
Boost mode acoustic power (dB)	67
Po (Off-mode power consumption) (W)	0,3
Ps (Stand-by power consumption) (W)	0

Integration directive EU 66/2014

f (Factor Increase in the time)	0,9
EEL (Energy efficiency Index)	54,6
QBEP (Maximum airflow point efficiency) (m3/h)	350,4
PBEP (Maximum pressure point efficiency) (Pa)	380
WBEP (Electrical power consumption at maximum efficiency) (W)	132,8
WL (Rated power lighting system) (W)	14
EMIDDLE (Average illuminance on the cooking surface) (lux)	513

External Dimensions

Width (mm)	1000
Depth (mm)	600
Maximum Total Height (mm)	500
Minimum Total Height (mm)	285
Outlet Diameter (mm)	150

Characteristics

Motor Quantity	1
Motor Model	BT3
Maximum Pressure (Pa)	450
Filter Technology	Aluminium mesh
Control Technology	Electronic Touch Control
Booster	√
Power levels	4
Timer	√
Filter Saturation Indicator	√
Charcoal Filter Change Indicator	-
Dimmer Function	√
Connectivity	-
Remote control	√
Display	Display_grafico

Lighting

Light Model	ECOLED
Lightning Technology	LED

Installation

Minimum distance to an electric cooktop (mm)	550
--	-----

Minimum distance to a gas cooktop (mm)	660
Recirculation Option	√
Charcoal Filter	-
Back Draught Shutter	-
Inner shield	-

Electric Connection

Rated voltage (V)	220-240
Rated frequency (Hz)	50
Rated power input (W)	294
Protection against electric shock	Class II
Plug type	Type C

Accessories

Upper Decorative Duct Extension	No
White Decorative Duct	No
Black Decorative Duct	No
Island Tube Enhancer	No
Back Draught Shutter	02832006
MAX PRO Metal Filter	02800917
Active Charcoal Filter	02859398
Noiseless Flexible Duct	02893002
Recirculating kit	No
