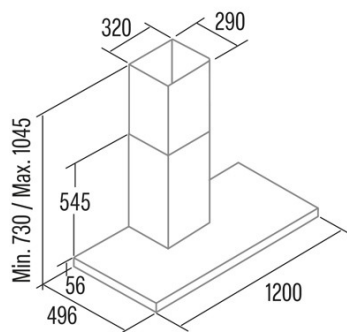




SYGMA 12010 X

Cod. **02132305**

EAN **8422248073035**



INFORMACIÓN GENERAL

EAN/UPC	8422248073035
Subfamily	Box

Product fiche according to directives EU65/2014 - EN61591, EN60704-2-13, EN50564

AEC (Energy consumption per year) (kWh/año)	536
EEl class (Energy efficiency class)	A
FDE (Fluid dynamic efficiency)	307
FDE class (Fluid dynamic efficiency class)	A
LE (Light efficiency) (lux/W)	231
LE class (Light efficiency class)	B
GFE (Grease filtering efficiency)	912
GFE Class (Grease filtering efficiency class)	B
Normal mode airflow MIN (m3/h)	340
Normal mode airflow MAX (m3/h)	600
Boost mode airflow (m3/h)	802
Normal mode acoustic power MIN (dB)	50
Normal mode acoustic power MAX (dB)	65
Boost mode acoustic power (dB)	67
Po (Off-mode power consumption) (W)	0,48
Ps (Stand-by power consumption) (W)	0,48

Integration directive EU 66/2014

f (Factor Increase in the time)	0,9
EEl (Energy efficiency Index)	521
QBEP (Maximum airflow point efficiency) (m3/h)	4431
PBEP (Maximum pressure point efficiency) (Pa)	4271
WBEP (Electrical power consumption at maximum efficiency) (W)	171
WL (Rated power lighting system) (W)	3
EMIDDLE (Average illuminance on the cooking surface) (lux)	69

External Dimensions

Width (mm)	1200
Depth (mm)	495
Maximum Total Height (mm)	990
Minimum Total Height (mm)	745
Outlet Diameter (mm)	150, 125

Characteristics

Motor Quantity	1
Motor Model	BT3
Maximum Pressure (Pa)	450
Filter Technology	Aluminium mesh
Control Tecnology	Mechanical push button
Power levels	4
Timer	√
Filter Saturation Indicator	√
Charcoal Filter Change Indicator	√
Dimmer Function	-
Connectivity	No
Remote control	-

Lighting

Light Model	SSLED
Lightning Technology	LED

Installation

Minimum distance to an electric cooktop (mm)	650
Minimum distance to a gas cooktop (mm)	650
Recirculation Option	√

Electric Connection

Rated voltage (V)	220-240
Rated frequency (Hz)	50
Rated power input (W)	283
Protection against electric shock	Class II
Plug type	No plug

Accessories

Upper Decorative Duct Extension	02861300
Island Tube Enhancer	02832004
Active Charcoal Filter	02859398
Noiseless Flexible Duct	02893002
