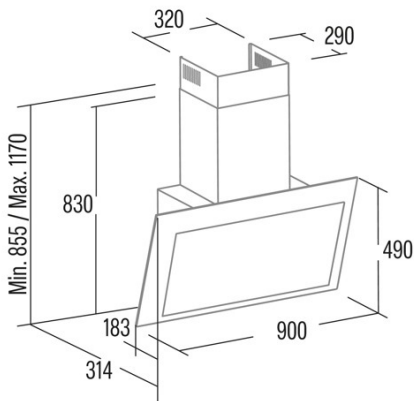
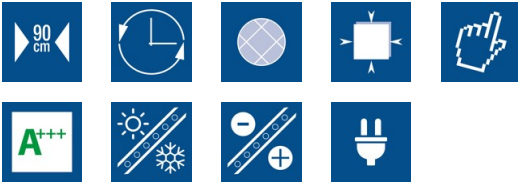




## VNV90 XGBK

Cod. **02159420**

EAN **8422248343077**



### INFORMACIÓN GENERAL

EAN/UPC	8422248343077
Subfamily	Angle Glass

### Product fiche according to directives EU65/2014 - EN61591, EN60704-2-13, EN50564

EEl class (Energy efficiency class)	A3plus
FDE class (Fluid dynamic efficiency class)	A3plus
LE class (Light efficiency class)	A3plus

### External Dimensions

Width (mm)	900
Depth (mm)	314
Maximum Total Height (mm)	1170
Minimum Total Height (mm)	855
Outlet Diameter (mm)	150, 125

### Characteristics

Motor Quantity	1
Motor Model	BT4DC
Maximum Pressure (Pa)	357
Control Technology	TFT
Booster	√
Power levels	6
Timer	√
Filter Saturation Indicator	√
Charcoal Filter Change Indicator	√
Connectivity	√
Display	Display_grafico

### Lighting

Light Model	SSLED BICOLOR
Lightning Technology	LED

### Installation

Minimum distance to an electric cooktop (mm)	400
Minimum distance to a gas cooktop (mm)	650
Recirculation Option	√

### Electric Connection

Rated voltage (V)	220-240
Rated frequency (Hz)	50
Rated power input (W)	143
Protection against electric shock	Class I