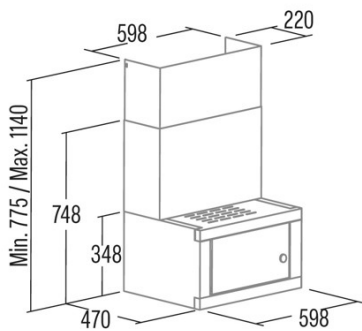




CHORUS XBK

Cod. 02165201

EAN 8422248055529



INFORMACIÓN GENERAL

EAN/UPC	8422248055529
Subfamily	Box

Product fiche according to directives EU65/2014 - EN61591, EN60704-2-13, EN50564

AEC (Energy consumption per year) (kWh/año)	49
EEl class (Energy efficiency class)	C
FDE (Fluid dynamic efficiency)	9,8
FDE class (Fluid dynamic efficiency class)	E
LE (Light efficiency) (lux/W)	36
LE class (Light efficiency class)	A
GFE (Grease filtering efficiency)	74,6
GFE Class (Grease filtering efficiency class)	D
Normal mode airflow MIN (m3/h)	210
Normal mode airflow MAX (m3/h)	400
Normal mode acustic power MIN (dB)	50
Normal mode acustic power MAX (dB)	62
Po (Off-mode power consumption) (W)	0
Ps (Stand-by power consumption) (W)	0

Integration directive EU 66/2014

f (Factor Increase in the time)	1,6
EEl (Energy efficiency Index)	82,6
QBEP (Maximum airflow point efficiency) (m3/h)	208,6
PBEP (Maximum pressure point efficiency) (Pa)	123
WBEP (Electrical power consumption at maximum efficiency) (W)	72,9
WL (Rated power lighting system) (W)	7
EMIDDLE (Average illuminance on the cooking surface) (lux)	252

External Dimensions

Width (mm)	598
Depth (mm)	470
Maximum Total Height (mm)	1140
Minimum Total Height (mm)	775
Outlet Diameter (mm)	150, 125

Characteristics

Motor Quantity	1
Motor Model	K7PLUS
Maximum Pressure (Pa)	200
Filter Technology	Aluminium mesh
Control Technology	Mechanical slider
Booster	-
Power levels	3
Timer	√
Filter Saturation Indicator	-
Charcoal Filter Change Indicator	-
Dimmer Function	-
Connectivity	-
Remote control	-
Display	-

Lighting

Light Model	ECOLED 3
Lightning Technology	LED

Installation

Minimum distance to an electric cooktop (mm)	592
Minimum distance to a gas cooktop (mm)	692
Recirculation Option	√

Charcoal Filter	-
Back Draught Shutter	-
Inner shield	-

Electric Connection

Rated voltage (V)	220-240
Rated frequency (Hz)	50
Rated power input (W)	102
Protection against electric shock	Class II
Plug type	Type C

Accessories

Back Draught Shutter	2832004
MAX PRO Metal Filter	2800917
Active Charcoal Filter	2859394
Noiseless Flexible Duct	2893002
