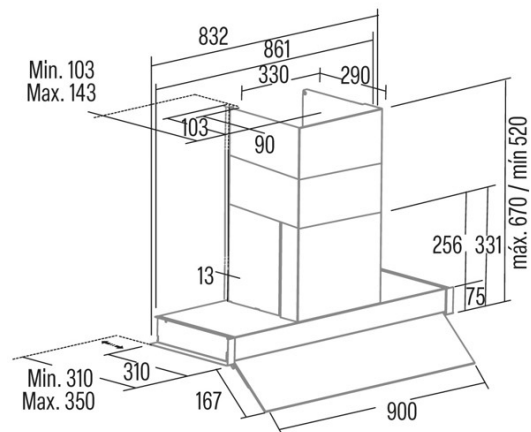




RENOVA PURE AIR MNV90 GWH

Cod. 02189020

EAN 8422248344692



INFORMACIÓN GENERAL

EAN/UPC	8422248344692
Subfamily	Integrated

External Dimensions

Width (mm)	900
Depth (mm)	350
Maximum Total Height (mm)	331
Minimum Total Height (mm)	331

Characteristics

Motor Quantity	1
Motor Model	BT4DC
Maximum Pressure (Pa)	357
Filter Technology	Aluminium mesh
Control Technology	TFT
Booster	√
Power levels	6
Timer	√
Filter Saturation Indicator	√
Charcoal Filter Change Indicator	√
Dimmer Function	√
Connectivity	√
Remote control	-
Display	Display

Lighting

Light Model	SSLED BICOLOR
Lightning Technology	LED

Installation

Minimum distance to an electric cooktop (mm)	550
Minimum distance to a gas cooktop (mm)	650
Recirculation Option	√
Charcoal Filter	√

Electric Connection

Rated voltage (V)	220-240
Rated frequency (Hz)	50
Rated power input (W)	158
Protection against electric shock	Class I
Plug type	Type A