



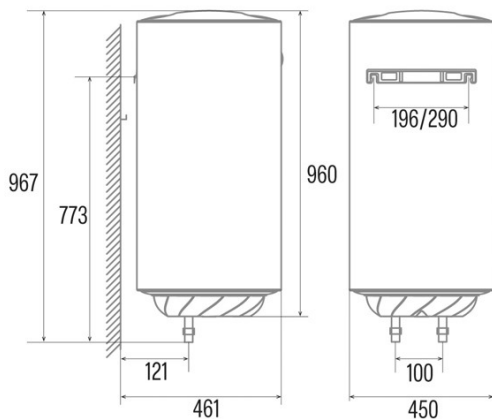
## CTR-100-M

Cod. 03113001

EAN 8422248081559



7.5  
bar



### INFORMACIÓN GENERAL

EAN/UPC	8422248081559
Subfamily	Electric

### Product fiche according to EU Regulation nº 812/2012

Declared Load Profile	M
Water Heating Energy Class	C
Water Heating Energy Efficiency (%)	36,2
Annual electricity consumption (kWh/year)	1420
Thermostat temperature settings	75

### Features

Capacity (L)	100
Number of persons	3-5
Installation	Vertical
Minimum set temperature	30
Maximum set temperature	75
Type of heating element	Enamel
Heating time 15°C-65°C (min)	233,4
Static losses 65°C (kWh/24h)	1,43
Coating thickness (mm)	5

### Controls

Type of control	Mechanical
Control position	Bottom
Electrical connection indicator	-
Temperature indicator	√
Heating indicator	√

### Safety

Overheating protection	√
Safety temperature (°C)	69
Freezing protection	-
Water protection index	IPX4
Maximum Working Pressure (Mpa)	0,75
Magnesium Anode Dimensions (mm)	D22x296

### Power connection

Rated voltage (V)	220-240
Rated frequency (Hz)	50/60
Rated power input (W)	1500
Protection against electric shock	Class I
Power cord length (m)	1,5
Plug type	Type F

### Installation

Width (mm)	450
Height (mm)	970
Depth (mm)	450