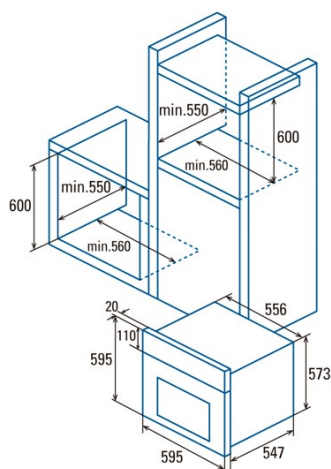




## MDS 7208 WH

Cod. **07001005**

EAN **8422248095587**



### INFORMACIÓN GENERAL

EAN/UPC	8422248095587
Subfamily	Turbo

### Product fiche

Energy efficiency index (IEE)	95
Energy efficiency Class	A
Energy consumption in conventional mode [kWh/cycle]	0,85
Energy consumption in fan-forced mode [kWh/cycle]	0,81
Heat source	Electricity
Mass of the appliance [Kg]	26,9
Number of cavities	1
Cavity volume (L)	72

### Dimensions

Width (mm)	595
Height (mm)	595
Depth (mm)	547
Built-in width (mm)	560
Built-in height (mm)	600
Built-in depth (mm)	550

### Controls

Control type	Touch control
Display	LCD
Number of functions	8
Functions	Fast_preheat;Bottom heating;Top and bottom heating;3D cooking;Turbo heating;Defrosting;Double grill with fan;Double Grill;Top and bottom heating with fan
Timer	Electronic
On/Off indicator	√
Thermostat indicator	√
Minimum temperature [°C]	50
Maximum temperature [°C]	285
Thermal probe	-

### Characteristics

Cleaning	Aquasmart Manual
Enamel	Black
Drop down grill	-
Removable inner glass	√
Number of light bulbs	15
Light bulb power [W]	1
Number of door glasses	3
Door manual lock	-
Soft close	√
Cavity type	Flat
Side Racks	√
Levels	5
Telescopic guides	0,75
Convection fan	√

### Security

Cooling fan	√
Overheating protection	√
Automatic safety shutdown	√
Pyrolysis door lock	-
Pyrolysis lock indicator	-

### Electrical connection

Upper heating element power [W]	1200
Lower heating element power [W]	1100
Turbo heating element power [W]	1600
Rated voltage (V)	220-240
Rated frequency (Hz)	50/60
Rated power input (W)	2650
Protection against electric shock	Class I
Power cord length (m)	1,4
Plug type	No plug

#### Accessories

Flat tray	√
Deep Tray	√
Steam tray	-
Grill	√
Inner grill	-
Telescopic guides	√
Tray Handle	-
Removable tank	-
Pizza Stone	-
Roast kit	-