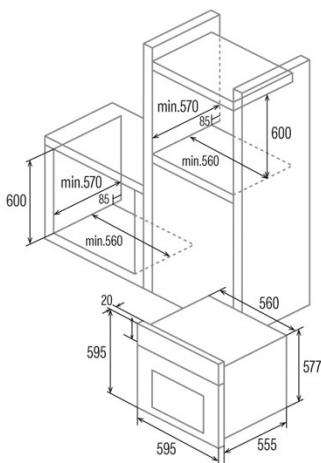
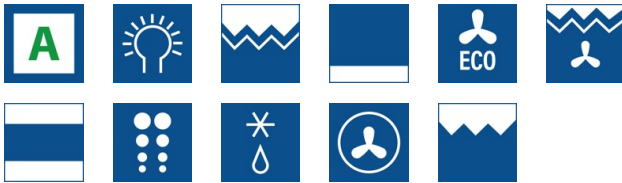




PR 6011 XGBK

Cod. 07001006

EAN 8422248103350



INFORMACIÓN GENERAL

EAN/UPC	8422248103350
Subfamily	Pyrolytic

Product fiche

Energy efficiency Class	A
Heat source	Electricity
Number of cavities	1
Cavity volume (L)	70

Dimensions

Width (mm)	595
Height (mm)	595
Depth (mm)	575
Built-in width (mm)	560
Built-in height (mm)	590
Built-in depth (mm)	560

Controls

Control type	Touch control
Display	WHITE
Number of functions	11
Functions	Top_and_bottom_heating_with_fan;Turbo heating;Light;Top and bottom heating;Defrosting;Double Grill;Grill;Double grill with fan;Eco
Timer	Electronic
On/Off indicator	√
Thermostat indicator	√
Minimum temperature [°C]	50
Maximum temperature [°C]	250
Thermal probe	-

Characteristics

Cleaning	Pyrolysis
Enamel	Black
Drop down grill	-
Removable inner glass	√
Number of light bulbs	25
Light bulb power [W]	1
Number of door glasses	4
Door manual lock	√
Soft close	-
Cavity type	Flat
Side Racks	√
Levels	5
Telescopic guides	1
Convection fan	√

Security

Cooling fan	√
Overheating protection	√
Automatic safety shutdown	√
Pyrolysis door lock	√
Pyrolysis lock indicator	√

Electrical connection

Upper heating element power [W]	650
Lower heating element power [W]	1100
Turbo heating element power [W]	2000
Rated voltage (V)	220-240
Rated frequency (Hz)	50/60
Rated power input (W)	3200

Protection against electric shock	Class I
Power cord length (m)	1
Plug type	No plug

Accessories

Flat tray	-
Deep Tray	√
Steam tray	-
Grill	√
Inner grill	-
Telescopic guides	√
Tray Handle	-
Removable tank	-
Pizza Stone	-
Roast kit	-
