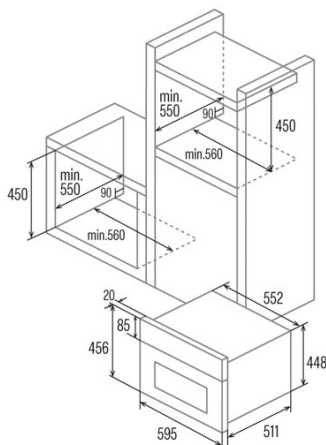
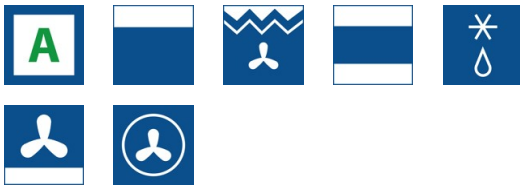




## MD 5008 WH

Cod. **07003000**

EAN **8422248067898**



### INFORMACIÓN GENERAL

EAN/UPC	8422248067898
Subfamily	Compact

### Product fiche

Energy efficiency index (IEE)	97,2
Energy efficiency Class	A
Energy consumption in conventional mode [kWh/cycle]	0,7
Energy consumption in fan-forced mode [kWh/cycle]	0,71
Heat source	Electricity
Mass of the appliance [Kg]	30,4
Number of cavities	1
Cavity volume (L)	40

### Dimensions

Width (mm)	456
Depth (mm)	466
Built-in width (mm)	560
Built-in height (mm)	450
Built-in depth (mm)	550

### Controls

Control type	Touch control
Display	LCD
Number of functions	8
Functions	Light;Defrosting;Double grill with fan;Top heating;Top and bottom heating;Top and bottom heating with fan;Bottom heating with fan;Turbo heating
Timer	Electronic
On/Off indicator	√
Thermostat indicator	194
Minimum temperature [°C]	MC2330002
Maximum temperature [°C]	250

### Characteristics

Cleaning	Aquasmart Manual
Enamel	Black
Removable inner glass	-
Number of light bulbs	25
Light bulb power [W]	1
Number of door glasses	344,28
Door manual lock	-
Side Racks	√
Levels	4
Telescopic guides	0,75
Convection fan	√

### Security

Cooling fan	√
Overheating protection	1000
Automatic safety shutdown	√
Pyrolysis door lock	-
Pyrolysis lock indicator	-

### Electrical connection

Lower heating element power [W]	1300
Rated voltage (V)	220-240
Rated frequency (Hz)	50/60
Rated power input (W)	2380
Protection against electric shock	80

Power cord length (m)	1
Plug type	No plug

---

**Accessories**

Deep Tray	√
Steam tray	-
Grill	truety Document
Inner grill	Built-in
Telescopic guides	√
Tray Handle	LifeStyle
Removable tank	-
Pizza Stone	-
Roast kit	Energy Fiche

---