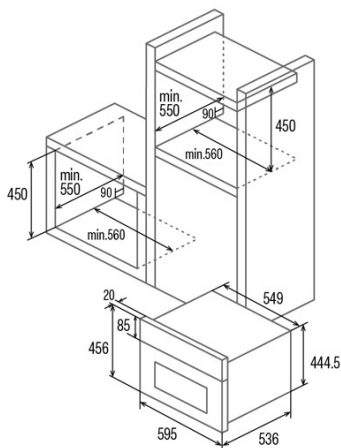




# CMD 5007 X

Cod. 07003002

EAN 8422248372886



## INFORMACIÓN GENERAL

EAN/UPC	8422248372886
Subfamily	Turbo

## Product fiche

Energy efficiency index (IEE)	97,2
Energy efficiency Class	A
Energy consumption in conventional mode [kWh/cycle]	0,76
Heat source	Electricity
Number of cavities	1
Cavity volume (L)	44

## Dimensions

Width (mm)	595
Depth (mm)	536

## Controls

Control type	Mechanical
Number of functions	7
Functions	Grill;Top and bottom heating;Double Grill;Double grill with fan;Bottom heating with fan;Top and bottom heating with fan

## Characteristics

Cleaning	Pirolisis
Enamel	Pyrolytic
Light type	LED
Light bulb power [W]	1
Number of door glasses	3

## Electrical connection

Turbo heating element power [W]	2380
Microwave power [W]	2000
Rated voltage (V)	220-240
Rated frequency (Hz)	50/60

## Accessories

Deep Tray	√
-----------	---