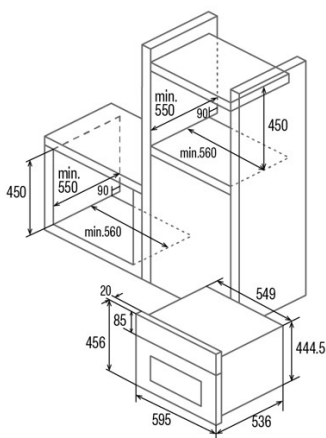




MD 5007 BK

Cod. 07003004

EAN 8422248372909



INFORMACIÓN GENERAL

EAN/UPC	8422248372909
Subfamily	Turbo

Product fiche

Energy efficiency index (IEE)	97,2
Energy efficiency Class	A
Energy consumption in conventional mode [kWh/cycle]	0,76
Energy consumption in fan-forced mode [kWh/cycle]	0,70
Heat source	Electricity
Number of cavities	1
Cavity volume (L)	44

Dimensions

Width (mm)	595
Height (mm)	572
Depth (mm)	485
Built-in width (mm)	564
Built-in height (mm)	593
Built-in depth (mm)	550

Controls

Control type	Mechanical
Display	RED
Number of functions	7
Functions	Top_and_bottom_heating_with_fan;Grill and bottom heating;Double grill with fan;Fan;Double Grill;Bottom heating with fan
Timer	Electronic
Minimum temperature [°C]	50
Maximum temperature [°C]	250

Characteristics

Cleaning	Aquasmart
Enamel	Pyrolytic
Light type	LED
Light bulb power [W]	1
Number of door glasses	3

Security

Cooling fan	√
-------------	---

Electrical connection

Turbo heating element power [W]	2380
Rated voltage (V)	220-240
Rated frequency (Hz)	50/60
Rated power input (W)	2000