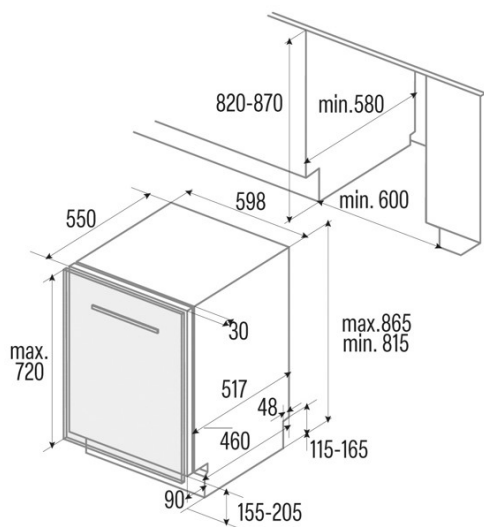




LVI 62012

Cod. 07200079

EAN 8422248351386



INFORMACIÓN GENERAL

EAN/UPC	8422248351386
Subfamily	Built-in

Power connection

Rated voltage (V)	220-240
Rated frequency (Hz)	50
Rated power input (W)	1760
Power cord length (m)	1500
Plug type	Type C

Product fiche according to EU Regulation 2019/2022 - 2019/2017

Standard place settings	14
Energy efficiency class	E
Power consumption of off-mode [W]	0
Noise level [dBA]	47
Installation Type	Built-In

Control panel

Type of Control	Soft Touch Buttons
Display	LED
Salt control indicator	√
Rinse aid control indicator	√
Delay Start	3-6-9h
Remaining Time Indicator	√
Start/Pause	√

Programs and functions

Number of programs	8
Program 1 - Name	Intensive
Program 1 - Temperature (°C)	65
Program 2 - Name	Normal
Program 2 - Temperature (°C)	55
Program 3 - Name	Eco
Program 3 - Temperature (°C)	45
Program 4 - Name	Express 90'
Program 4 - Temperature (°C)	60
Program 5 - Name	Glass
Program 5 - Temperature (°C)	50
Program 6 - Name	Quick 30'
Program 6 - Temperature (°C)	45
Program 7 - Name	Automatic
Program 7 - Temperature (°C)	55
Program 7 - Duration (min)	65

Power and water connection

Rated voltage (V)	220-240
Rated frequency (Hz)	50
Rated power input (W)	1760
Power cord length (m)	1500
Plug type	Type C
Inlet Water Hose Length (m)	1500
Drain Water Hose Length (m)	1400

Installation

Width (mm)	598
Height Min (mm)	815
Depth (mm)	550
Adjustable height	√
Built-in width (mm)	600
Built-in height (mm)	820
Built-in depth (mm)	580

Maximum Door height (mm)	720
Sliding Door	-
