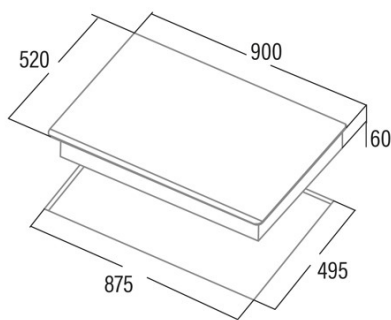
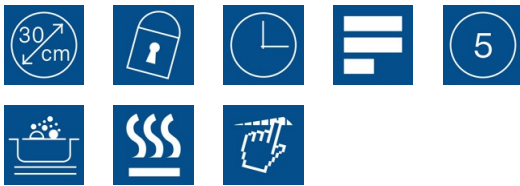




# INSB 9012 BK

Cod. **08024402**

EAN **8422248109413**



## INFORMACIÓN GENERAL

|           |               |
|-----------|---------------|
| EAN/UPC   | 8422248109413 |
| Subfamily | Induction     |

## Product fiche

|                                    |                      |
|------------------------------------|----------------------|
| Number of cooking zones            | 5                    |
| Zone 1: Technology                 | Induction            |
| Zone 1: Zone type                  | Rectangular Flexible |
| Zone 1: Position                   | Front Left           |
| Zone 1: Diameter of the zone (mm)  | 21x20                |
| Zone 1: Power (kW)                 | 1,5                  |
| Zone 1: Booster (kW)               | 2                    |
| Zone 1: Consumption (Wh / kg)      | 182,9                |
| Zone 1B: Diameter of the zone (mm) | N/A                  |
| Zone 1C: Diameter of the zone (mm) | N/A                  |
| Zone 2: Technology                 | Induction            |
| Zone 2: Zone type                  | Rectangular Flexible |
| Zone 2: Position                   | Rear Left            |
| Zone 2: Diameter of the zone (mm)  | 21x20                |
| Zone 2: Power (kW)                 | 2                    |
| Zone 2: Booster (kW)               | 2,8                  |
| Zone 2: Consumption (Wh / kg)      | 182,7                |
| Zone 2B: Diameter of the zone (mm) | N/A                  |
| Zone 2C: Diameter of the zone (mm) | N/A                  |
| Zone 3: Technology                 | Induction            |
| Zone 3: Zone type                  | Simple               |
| Zone 3: Position                   | Centre               |
| Zone 3: Diameter of the zone (mm)  | 30                   |
| Zone 3: Power (kW)                 | 2,3                  |
| Zone 3: Booster (kW)               | 3                    |
| Zone 3: Consumption (Wh / kg)      | 216,3                |
| Zone 3B: Diameter of the zone (mm) | N/A                  |
| Zone 3C: Diameter of the zone (mm) | N/A                  |
| Zone 4: Technology                 | Induction            |
| Zone 4: Zone type                  | Rectangular Flexible |
| Zone 4: Position                   | Rear Right           |
| Zone 4: Diameter of the zone (mm)  | 21x20                |
| Zone 4: Power (kW)                 | 1,5                  |
| Zone 4: Booster (kW)               | 2                    |
| Zone 4: Consumption (Wh / kg)      | 182,9                |
| Zone 4B: Diameter of the zone (mm) | N/A                  |
| Zone 4C: Diameter of the zone (mm) | N/A                  |
| Zone 5: Technology                 | Induction            |
| Zone 5: Zone type                  | Rectangular Flexible |
| Zone 5: Position                   | Front Right          |
| Zone 5: Diameter of the zone (mm)  | 21x20                |
| Zone 5: Power (kW)                 | 2                    |
| Zone 5: Booster (kW)               | 2,8                  |
| Zone 5: Consumption (Wh / kg)      | 182,7                |
| Zone 5B: Diameter of the zone (mm) | N/A                  |
| Zone 5C: Diameter of the zone (mm) | N/A                  |
| Zone 6: Technology                 | N/A                  |
| Zone 6: Zone type                  | N/A                  |
| Zone 6: Position                   | N/A                  |
| Zone 6: Diameter of the zone (mm)  | N/A                  |
| Zone 6B: Diameter of the zone (mm) | N/A                  |
| Zone 6C: Diameter of the zone (mm) | N/A                  |

## Dimensions

|             |     |
|-------------|-----|
| Width (mm)  | 900 |
| Height (mm) | 60  |
| Depth (mm)  | 520 |

|                          |           |
|--------------------------|-----------|
| Built-in width (mm)      | 875       |
| Built-in height (mm)     | 56        |
| Built-in depth (mm)      | 495       |
| Easy installation System | Quick Fix |

### Finishing

|                  |       |
|------------------|-------|
| Material         | Glass |
| Bevel            | Front |
| Frame            | No    |
| Cooking supports | N/A   |

### Control

|                             |                      |
|-----------------------------|----------------------|
| Control type                | Slider Touch Control |
| Control Position            | Front Centre         |
| Independent control by zone | √                    |
| Hidden control              | -                    |
| Power levels                | 9 + Booster          |
| Knob type                   | N/A                  |
| Cooking time programming    | √                    |
| Countdown alarm             | √                    |
| Power management            | -                    |
| Available Power Limits (kW) | 2,8/3,5              |
| Connectivity                | No                   |
| Auto Ignition               | N/A                  |

### Security

|                                   |           |
|-----------------------------------|-----------|
| Security lock                     | √         |
| Child lock                        | Yes (Key) |
| Residual heat indicator           | √         |
| Automatic detection of cookware   | √         |
| Intelligent detection of cookware | -         |
| Automatic safety shutdown         | √         |
| Liquid spill protection           | √         |
| Safety Valve                      | -         |

### Electrical connection

|                                   |         |
|-----------------------------------|---------|
| Rated voltage (V)                 | 220-240 |
| Rated frequency (Hz)              | 50/60   |
| Rated power input (W)             | 9       |
| Multi Phase Connection Option     | No      |
| Protection against electric shock | Class I |
| Power cord length (m)             | 1       |
| Plug type                         | No plug |

### Accessories

|                |         |
|----------------|---------|
| Barbecue grill | 3017400 |
|----------------|---------|