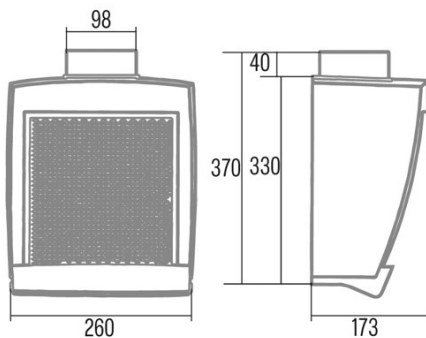




PROFESSIONAL 500 GW

Cod. 00117400

EAN 8422248010832



GENERAL INFORMATION

EAN/UPC	8422248010832
Subfamily	Kitchen Extractor

Product sheet according to directives EU65/2014 - EN61591, EN60704-2-13, EN50564

AEC (Annual energy consumption) (kWh/year)	60
EEL class (energy efficiency class)	D
FDE (fluid dynamic efficiency)	8
FDE class (fluid dynamic efficiency class)	E
LE class (light efficiency class)	N_A
GFE (grease filtering efficiency)	51,9
GFE class (grease filtering efficiency class)	F
Airflow in normal mode MAX (m3/h)	450
Acoustic power in normal mode MAX (dB)	57
Po (energy consumption in off mode) (W)	0
Ps (energy consumption in standby mode) (W)	0

Integration directive EU 66/2014

f (time increase factor)	1,8
EEL (Energy Efficiency Index)	90
QBEP (maximum efficiency at air flow point) (m3/h)	145,3
PBEP (maximum efficiency at pressure point) (Pa)	152,5
WBEP (power consumption at maximum efficiency) (W)	94,5

External Dimensions

Width (mm)	260
Depth (mm)	173
Minimum total height (mm)	650
Diamètre de sortie (mm)	98

Characteristics

Motor quantity	1
Maximum pressure (Pa)	235
Free out airflow (m3/h)	450
Filter technology	Malla
Booster	-
Timer	-
Filter saturation indicator	-
Charcoal filter replacement indicator	-
Remote control	-

Installation

Minimum distance to electric plate (mm)	65
Minimum distance to gas plate (mm)	650
Recirculation option	-
Charcoal filter	-
Back draught shutter	-
Inner shield	-

Electric connection

Nominal voltage (V)	230
Nominal frequency (Hz)	50
Nominal input power (W)	125
Electric shock protection	Class II
Power cord length (m)	0,5
Plug type	No plug

Accessories

Upper decorative duct extension	N_A
White decorative duct	N_A
Black decorative duct	N_A

Island tube booster	N_A
Back draught shutter	N_A
MAX PRO Metal filter	N_A
Activated charcoal filter	1140800
Noiseless flexible duct	N_A
Recirculation kit	N_A