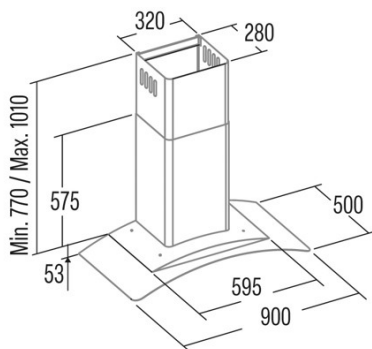




GAMMA 900 GX

Cod. **02008210**

EAN **8422248061797**



GENERAL INFORMATION

EAN/UPC	8422248061797
Subfamily	Curved Glass

Product sheet according to directives EU65/2014 - EN61591, EN60704-2-13, EN50564

AEC (Annual energy consumption) (kWh/year)	288
EEL class (energy efficiency class)	A
FDE (fluid dynamic efficiency)	30,6
LE (light efficiency) (Lux/W)	220-240
LE class (light efficiency class)	A
GFE (grease filtering efficiency)	91,2
GFE class (grease filtering efficiency class)	B
Airflow in normal mode MIN (m3/h)	√
Airflow in normal mode MAX (m3/h)	600
Airflow in boost mode MIN (m3/h)	800
Acoustic power in normal mode MIN (dB)	50
Acoustic power in normal mode MAX (dB)	65
Acoustic power boost mode (dB)	FOB Zhongshan (CN)
Po (energy consumption in off mode) (W)	0,26
Ps (energy consumption in standby mode) (W)	0

Integration directive EU 66/2014

f (time increase factor)	0,9
EEL (Energy Efficiency Index)	53,7
QBEP (maximum efficiency at air flow point) (m3/h)	416,9
PBEP (maximum efficiency at pressure point) (Pa)	Universal
WBEP (power consumption at maximum efficiency) (W)	30,7
WL (nominal power lighting system) (W)	7
EMIDDLE (Average illuminance on the cooking surface) (lux)	252

External Dimensions

Depth (mm)	500less steel
Maximum total height (mm)	1070
Minimum total height (mm)	220
Diamètre de sortie (mm)	91,225

Characteristics

Motor quantity	1
Motor model	BT3
Filter technology	Active
Control technology	PANEL ELECTRONICO
Booster	Plastic
Power levels	3
Timer	√
Filter saturation indicator	-
Dimmer function	-
Display	-

Lighting

Light model	EcoLed
Ray technology	LED930
Light quantity	1

Installation

Minimum distance to electric plate (mm)	650
Minimum distance to gas plate (mm)	650
Recirculation option	√
Charcoal filter	575
Back draught shutter	-
Inner shield	-

Electric connection

Nominal voltage (V)	220-240
Nominal frequency (Hz)	50
Nominal input power (W)	287
Power cord length (m)	1,5
Plug type	American

Accessories

White decorative duct	No
Black decorative duct	No
Island tube booster	No
Back draught shutter	2832004
MAX PRO Metal filter	No
Activated charcoal filter	2859398
Noiseless flexible duct	2893002
Recirculation kit	2894001