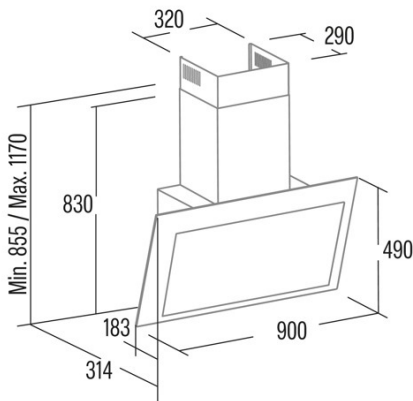
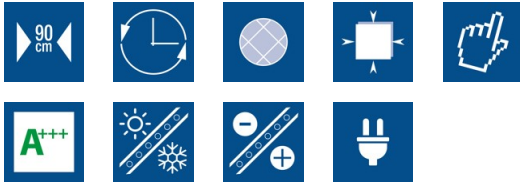




VNV90 XGBK

Cod. **02159420**

EAN **8422248343077**



GENERAL INFORMATION

EAN/UPC	8422248343077
Subfamily	Angle Glass

Product sheet according to directives EU65/2014 - EN61591, EN60704-2-13, EN50564

EEl class (energy efficiency class)	A3plus
FDE class (fluid dynamic efficiency class)	A3plus
LE class (light efficiency class)	A3plus

External Dimensions

Width (mm)	900
Depth (mm)	314
Maximum total height (mm)	1170
Minimum total height (mm)	855
Diamètre de sortie (mm)	150, 125

Characteristics

Motor quantity	1
Motor model	BT4DC
Maximum pressure (Pa)	357
Control technology	TFT
Booster	√
Power levels	6
Timer	√
Filter saturation indicator	√
Charcoal filter replacement indicator	√
Connectivity	√
Display	Display_grafico

Lighting

Light model	SSLED BICOLOR
Ray technology	LED

Installation

Minimum distance to electric plate (mm)	400
Minimum distance to gas plate (mm)	650
Recirculation option	√

Electric connection

Nominal voltage (V)	220-240
Nominal frequency (Hz)	50
Nominal input power (W)	143
Electric shock protection	Class I