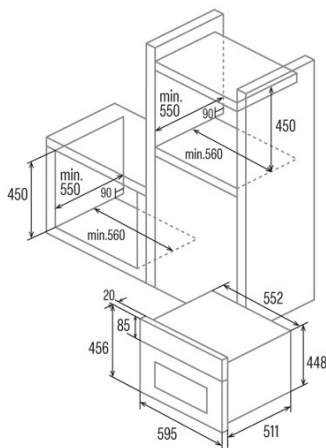




ME 4006 X

Cod. **07003305**

EAN **8422248067867**



GENERAL INFORMATION

| | |
|-----------|---------------|
| EAN/UPC | 8422248067867 |
| Subfamily | Compact |

Product sheet

| | |
|---|-------------|
| Energy Efficiency Index (EEI) | 97,2 |
| Energy efficiency class | A |
| Energy consumption in conventional mode (kWh/cycle) | 0,7 |
| Energy consumption in fan mode (kWh/cycle) | 0,71 |
| Heat source | Electricity |
| Appliance mass [Kg] | 30,4 |
| Number of cavities | 1 |
| Cavity volume (L) | 40 |

Dimensions

| | |
|----------------------|-----|
| Width (mm) | 456 |
| Height (mm) | 595 |
| Depth (mm) | 502 |
| Built-in width (mm) | 560 |
| Built-in height (mm) | 450 |
| Built-in depth (mm) | 550 |

Controls

| | |
|--------------------------|---|
| Control type | Mechanical |
| Display | No |
| Number of functions | 6 |
| Functions | Bottom_heating_with_fan;Top and bottom heating with fan;Defrosting;Light;Top and bottom heating;Double grill with fan |
| Timer | Mechanical |
| On/off indicator | √ |
| Thermostat indicator | √ |
| Minimum temperature [°C] | 50 |
| Maximum temperature [°C] | 250 |
| Thermal probe | - |

Characteristics

| | |
|------------------------|------------------|
| Cleaning | Aquasmart Manual |
| Enamel | Black |
| Drop down grill | - |
| Removable inner glass | - |
| Number of light bulbs | 25 |
| Bulb power [W] | 1 |
| Number of door glasses | 3 |
| Manual door lock | - |
| Soft close | - |
| Cavity type | Embossed |
| Side racks | - |
| Levels | 4 |
| Telescopic guides | No |
| Convection fan | √ |

Safety

| | |
|---------------------------|---|
| Cooling fan | √ |
| Overheating protection | √ |
| Automatic safety shutdown | √ |
| Pyrolysis door lock | - |
| Pyrolysis lock indicator | - |

Electrical connection

| | |
|--|-----|
| Power of the upper heating element [W] | 900 |
|--|-----|

| | |
|--|---------|
| Lower power of the heating element [W] | 1300 |
| Nominal voltage (V) | 220-240 |
| Nominal frequency (Hz) | 50/60 |
| Nominal input power (W) | 2380 |
| Electric shock protection | Class I |
| Power cord length (m) | 1 |
| Plug type | No plug |

Accessories

| | |
|-------------------|---|
| Flat tray | √ |
| Deep tray | - |
| Steam tray | - |
| Grill | √ |
| Inner grill | - |
| Telescopic guides | - |
| Tray handle | - |
| Removable tank | - |
| Pizza stone | - |
| Roast kit | - |