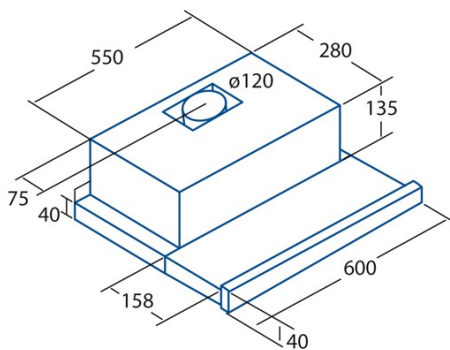




TF-5060 X

Cod. **02033309**

EAN **8422248086059**



GENERAL INFORMATION

EAN/UPC	8422248086059
Subfamily	Telescopic

Product sheet according to directives EU65/2014 - EN61591, EN60704-2-13, EN50564

AEC (Annual energy consumption) (kWh/year)	No
EEL class (energy efficiency class)	C
FDE (fluid dynamic efficiency)	10,4
FDE class (fluid dynamic efficiency class)	E93002
LE (light efficiency) (Lux/W)	11,8
LE class (light efficiency class)	D
GFE (grease filtering efficiency)	59,6
GFE class (grease filtering efficiency class)	E
Airflow in normal mode MIN (m3/h)	No
Airflow in boost mode MIN (m3/h)	-
Acoustic power in normal mode MIN (dB)	46
Acoustic power in normal mode MAX (dB)	3
Ps (energy consumption in standby mode) (W)	0

Integration directive EU 66/2014

f (time increase factor)	280
EEL (Energy Efficiency Index)	-
QBEP (maximum efficiency at air flow point) (m3/h)	6
PBEP (maximum efficiency at pressure point) (Pa)	180
WBEP (power consumption at maximum efficiency) (W)	LED
WL (nominal power lighting system) (W)	2
EMIDDLE (Average illuminance on the cooking surface) (lux)	65

External Dimensions

Width (mm)	600
Depth (mm)	280
Minimum total height (mm)	175
Diamètre de sortie (mm)	120

Characteristics

Motor quantity	1
Motor model	L1N
Maximum pressure (Pa)	205
Free out airflow (m3/h)	350
Control technology	Mechanical push button
Power levels	3
Filter saturation indicator	-
Charcoal filter replacement indicator	Class II
Dimmer function	AC/INDUCTION
Connectivity	No plug
Remote control	Press button
Display	-

Lighting

Light model	LED E-14
Ray technology	LED

Installation

Minimum distance to electric plate (mm)	550
Minimum distance to gas plate (mm)	650
Charcoal filter	-
Back draught shutter	-
Inner shield	-

Electric connection

Nominal voltage (V)	220-240
---------------------	---------

Nominal frequency (Hz)	50
Electric shock protection	Class II
Power cord length (m)	-
Plug type	Type C

Accessories

Upper decorative duct extension	No
White decorative duct	No
Black decorative duct	No
Island tube booster	No
Back draught shutter	2849002
MAX PRO Metal filter	No
Activated charcoal filter	2846762
Recirculation kit	No