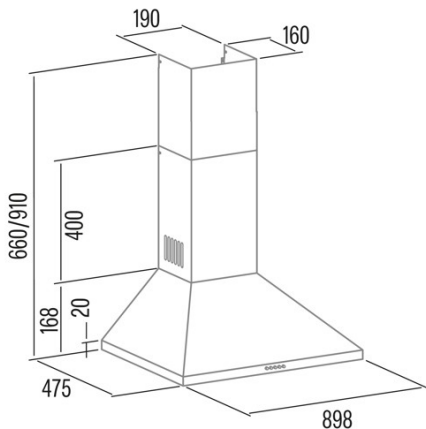




# V-900 X

Cod. **02063600**

EAN **8422248087278**



## GENERAL INFORMATION

|           |               |
|-----------|---------------|
| EAN/UPC   | 8422248087278 |
| Subfamily | Chimney       |

### Product sheet according to directives EU65/2014 - EN61591, EN60704-2-13, EN50564

|                                               |      |
|-----------------------------------------------|------|
| AEC (Annual energy consumption) (kWh/year)    | 53,7 |
| EEl class (energy efficiency class)           | C    |
| FDE (fluid dynamic efficiency)                | 10,3 |
| FDE class (fluid dynamic efficiency class)    | E    |
| LE (light efficiency) (Lux/W)                 | 8,4  |
| LE class (light efficiency class)             | E    |
| GFE (grease filtering efficiency)             | 71,4 |
| GFE class (grease filtering efficiency class) | D    |
| Airflow in normal mode MIN (m3/h)             | 210  |
| Airflow in normal mode MAX (m3/h)             | 420  |
| Acoustic power in normal mode MIN (dB)        | 53   |
| Acoustic power in normal mode MAX (dB)        | 65   |
| Po (energy consumption in off mode) (W)       | 0    |
| Ps (energy consumption in standby mode) (W)   | 0    |

### Integration directive EU 66/2014

|                                                            |       |
|------------------------------------------------------------|-------|
| f (time increase factor)                                   | 1,6   |
| EEl (Energy Efficiency Index)                              | 84,4  |
| QBEP (maximum efficiency at air flow point) (m3/h)         | 220   |
| PBEP (maximum efficiency at pressure point) (Pa)           | 130   |
| WBEP (power consumption at maximum efficiency) (W)         | 76,9  |
| WL (nominal power lighting system) (W)                     | 11    |
| EMIDDLE (Average illuminance on the cooking surface) (lux) | 208,8 |

### External Dimensions

|                           |          |
|---------------------------|----------|
| Width (mm)                | 900      |
| Depth (mm)                | 475      |
| Maximum total height (mm) | 910      |
| Minimum total height (mm) | 610      |
| Diamètre de sortie (mm)   | 150, 125 |

### Characteristics

|                                       |                        |
|---------------------------------------|------------------------|
| Motor quantity                        | 1                      |
| Motor model                           | K7PLUS                 |
| Maximum pressure (Pa)                 | 200                    |
| Filter technology                     | Aluminium mesh         |
| Control technology                    | Mechanical push button |
| Booster                               | -                      |
| Power levels                          | 3                      |
| Timer                                 | -                      |
| Filter saturation indicator           | -                      |
| Charcoal filter replacement indicator | -                      |
| Dimmer function                       | -                      |
| Connectivity                          | -                      |
| Remote control                        | -                      |
| Display                               | -                      |

### Lighting

|                |          |
|----------------|----------|
| Light model    | LED E-14 |
| Ray technology | LED      |

### Installation

|                                         |     |
|-----------------------------------------|-----|
| Minimum distance to electric plate (mm) | 650 |
| Minimum distance to gas plate (mm)      | 650 |
| Recirculation option                    | √   |
| Charcoal filter                         | -   |

|                      |   |
|----------------------|---|
| Back draught shutter | - |
| Inner shield         | - |

---

### Electric connection

|                           |          |
|---------------------------|----------|
| Nominal voltage (V)       | 220-240  |
| Nominal frequency (Hz)    | 50       |
| Nominal input power (W)   | 106      |
| Electric shock protection | Class II |
| Power cord length (m)     | 1,5      |
| Plug type                 | Type C   |

---

### Accessories

|                                 |          |
|---------------------------------|----------|
| Upper decorative duct extension | 02862302 |
| White decorative duct           | No       |
| Black decorative duct           | No       |
| Island tube booster             | No       |
| Back draught shutter            | 02832004 |
| MAX PRO Metal filter            | 02800917 |
| Activated charcoal filter       | 02859394 |
| Noiseless flexible duct         | 02893002 |
| Recirculation kit               | No       |

---