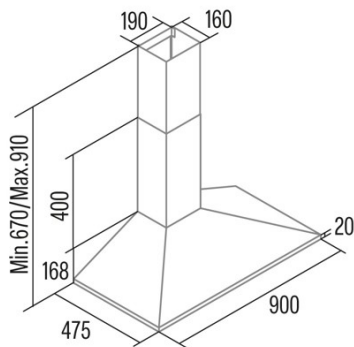




VK 9000 X

Cod. 02063603

EAN 8422248371186



GENERAL INFORMATION

EAN/UPC	8422248371186
Subfamily	Angle Glass

Product sheet according to directives EU65/2014 - EN61591, EN60704-2-13, EN50564

AEC (Annual energy consumption) (kWh/year)	26,2
EEl class (energy efficiency class)	A
FDE (fluid dynamic efficiency)	28,4
FDE class (fluid dynamic efficiency class)	A
LE (light efficiency) (lux/W)	67
LE class (light efficiency class)	A
GFE (grease filtering efficiency)	70,1
GFE class (grease filtering efficiency class)	D
Airflow in normal mode MIN (m3/h)	174,3
Airflow in normal mode MAX (m3/h)	477,3
Acoustic power in normal mode MIN (dB)	56
Acoustic power in normal mode MAX (dB)	69
Po (energy consumption in off mode) (W)	0

Integration directive EU 66/2014

<i>f</i> (time increase factor)	1
EEl (Energy Efficiency Index)	49,2
QBEP (maximum efficiency at air flow point) (m3/h)	258,8
PBEP (maximum efficiency at pressure point) (Pa)	260
WBEP (power consumption at maximum efficiency) (W)	65,9
WL (nominal power lighting system) (W)	3
EMIDDLE (Average illuminance on the cooking surface) (lux)	200

External Dimensions

Diamètre de sortie (mm)	150
-------------------------	-----

Characteristics

Motor quantity	1
Power levels	3

Electric connection

Nominal voltage (V)	220-240
Nominal frequency (Hz)	50
Electric shock protection	Class II
Plug type	No plug