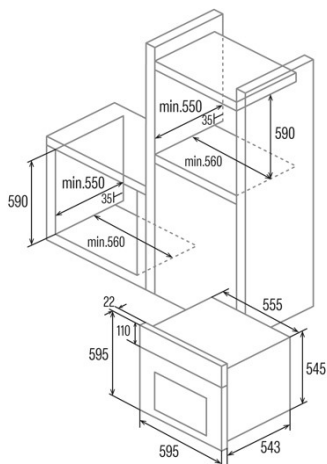




MDS 8008 X AIR FRYER

Cod. 07001509

EAN 8422248347846



GENERAL INFORMATION

| | |
|-----------|---------------|
| EAN/UPC | 8422248347846 |
| Subfamily | Multifunction |

Product sheet

| | |
|-----------------------------------------------------|-------------|
| Energy Efficiency Index (EEI) | 117 |
| Energy efficiency class | A |
| Energy consumption in conventional mode (kWh/cycle) | 0,85 |
| Energy consumption in fan mode (kWh/cycle) | 0,84 |
| Heat source | Electricity |
| Appliance mass [Kg] | 30,9 |
| Number of cavities | 1 |
| Cavity volume (L) | 80 |

Dimensions

| | |
|-------------|-----|
| Width (mm) | 556 |
| Height (mm) | 545 |
| Depth (mm) | 550 |

Controls

| | |
|--------------------------|-------------------------------------------------------------------------------------------------------------------------------|
| Control type | Mechanical |
| Display | WHITE |
| Number of functions | 8 |
| Functions | Top_and_bottom_heating_with_fan;Top and bottom heating;Turbo heating;Defrosting;Bottom heating;Grill and fan;Grill;3D cooking |
| Timer | Electronic |
| On/off indicator | √ |
| Minimum temperature [°C] | 40 |
| Maximum temperature [°C] | 240 |

Characteristics

| | |
|------------------------|-----------|
| Cleaning | Aquasmart |
| Enamel | Grey |
| Removable inner glass | √ |
| Light type | LED |
| Number of light bulbs | 1,5 |
| Bulb power [W] | 1 |
| Number of door glasses | 2 |
| Manual door lock | √ |
| Soft close | - |
| Cavity type | Flat |
| Side racks | √ |
| Levels | 5 |
| Telescopic guides | 1 |
| Convection fan | √ |

Safety

| | |
|--------------------------|---|
| Cooling fan | √ |
| Pyrolysis door lock | - |
| Pyrolysis lock indicator | - |

Electrical connection

| | |
|----------------------------------------|---------|
| Power of the upper heating element [W] | 900 |
| Nominal voltage (V) | 220-240 |
| Nominal frequency (Hz) | 50/60 |
| Power cord length (m) | 1,5 |

Accessories

| | |
|-----------|---|
| Flat tray | √ |
| Deep tray | √ |

| | |
|-------------------|---|
| Grill | √ |
| Telescopic guides | √ |
