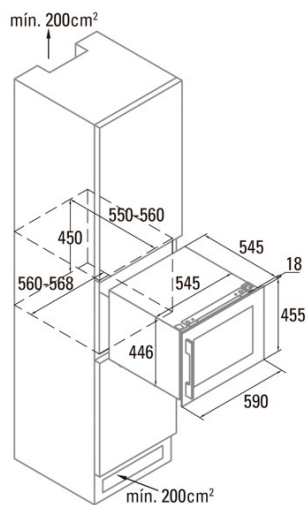




# VI 54024 X

Cod. 07751008

EAN 8422248101837



## GENERAL INFORMATION

EAN/UPC	8422248101837
Subfamily	Wine Cooler

## Product sheet according to EU Regulation 2019/2016

Category	2
Energy consumption [kWh/year]	135
Refrigerator storage volume [l]	62
Climate class	SN/N/ST
Noise emissions [dBA]	41
Installation type	Built-In

## Refrigerator equipment

Number of door balconies	0
Number of glass shelves	0
Wine rack	√

## Illumination

Refrigerator light	√
LED light	√

## Power and water connection

Nominal voltage (V)	220-240
Nominal frequency (Hz)	50
Nominal input power (W)	65
Electric shock protection	Class I
Power cord length (m)	1,5
Plug type	Type F

## Control

Control type	Electronic
Display	LED
Cooling system	No Frost

## Installation

Width (mm)	590
Height (mm)	455
Depth (mm)	563
Built-in width (mm)	560
Built-in depth (mm)	560
Reversible doors	√
Door opening side	Right and Left