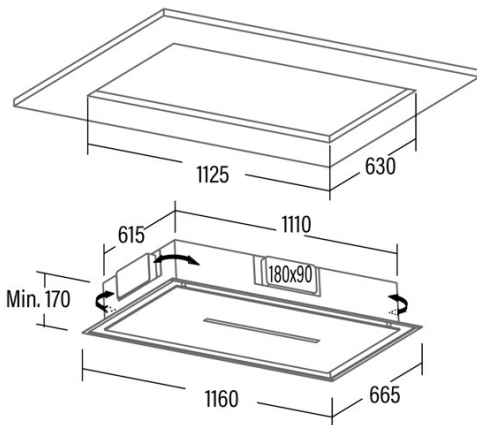
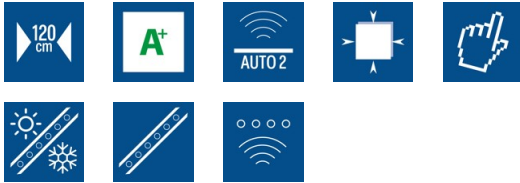




# ISLA BENNU SLIM 1200 X

Cod. 02111309

EAN 8422248112642



## GENERAL INFORMATION

|           |               |
|-----------|---------------|
| EAN/UPC   | 8422248112642 |
| Subfamily | Ceiling       |

### Product sheet according to directives EU65/2014 - EN61591, EN60704-2-13, EN50564

|   |      |
|---|------|
| AEC (Annual energy consumption) (kWh/year)    | 44,1 |
| EEl class (energy efficiency class)           | B    |
| FDE (fluid dynamic efficiency)                | 25,2 |
| FDE class (fluid dynamic efficiency class)    | B    |
| LE (light efficiency) (Lux/W)                 | 23,7 |
| LE class (light efficiency class)             | B    |
| GFE (grease filtering efficiency)             | 91,2 |
| GFE class (grease filtering efficiency class) | B    |
| Airflow in normal mode MIN (m3/h)             | 300  |
| Airflow in normal mode MAX (m3/h)             | 500  |
| Airflow in boost mode MIN (m3/h)              | 620  |
| Acoustic power in normal mode MIN (dB)        | 50   |
| Acoustic power in normal mode MAX (dB)        | 65   |
| Acoustic power boost mode (dB)                | 67   |
| Po (energy consumption in off mode) (W)       | 0,3  |
| Ps (energy consumption in standby mode) (W)   | 0    |

### Integration directive EU 66/2014

|  |       |
|--|-------|
| f (time increase factor)                                   | 1,1   |
| EEl (Energy Efficiency Index)                              | 60,7  |
| QBEP (maximum efficiency at air flow point) (m3/h)         | 326,9 |
| PBEP (maximum efficiency at pressure point) (Pa)           | 269,4 |
| WBEP (power consumption at maximum efficiency) (W)         | 97,1  |
| WL (nominal power lighting system) (W)                     | 7     |
| EMIDDLE (Average illuminance on the cooking surface) (lux) | 166   |

### External Dimensions

|                           |        |
|---------------------------|--------|
| Width (mm)                | 1160   |
| Depth (mm)                | 665    |
| Maximum total height (mm) | 170    |
| Minimum total height (mm) | 170    |
| Diamètre de sortie (mm)   | 180x90 |

### Characteristics

|                                       |                |
|---------------------------------------|----------------|
| Motor quantity                        | 1              |
| Motor model                           | S6             |
| Maximum pressure (Pa)                 | 470            |
| Filter technology                     | Aluminium mesh |
| Control technology                    | TFT            |
| Booster                               | √              |
| Power levels                          | 4              |
| Timer                                 | √              |
| Filter saturation indicator           | -              |
| Charcoal filter replacement indicator | -              |
| Dimmer function                       | √              |
| Connectivity                          | Auto           |
| Remote control                        | √              |
| Display                               | Display        |

### Lighting

|                |        |
|----------------|--------|
| Light model    | ECOLED |
| Ray technology | LED    |

### Installation

|   |     |
|---|-----|
| Minimum distance to electric plate (mm) | 550 |
| Minimum distance to gas plate (mm)      | 650 |

|                      |    |
|----------------------|----|
| Recirculation option | √  |
| Charcoal filter      | √  |
| Back draught shutter | No |
| Inner shield         | -  |

---

**Electric connection**

|                           |         |
|---------------------------|---------|
| Nominal voltage (V)       | 220-240 |
| Nominal frequency (Hz)    | 50      |
| Nominal input power (W)   | 112     |
| Electric shock protection | Class I |

---

**Accessories**

|                           |          |
|---------------------------|----------|
| Activated charcoal filter | 02800922 |
|---------------------------|----------|

---