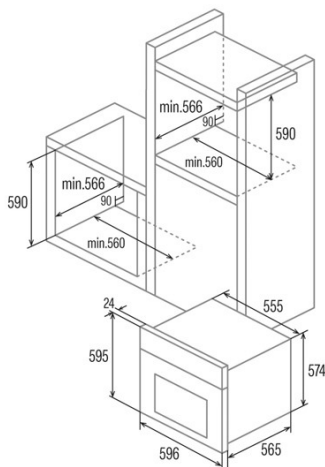
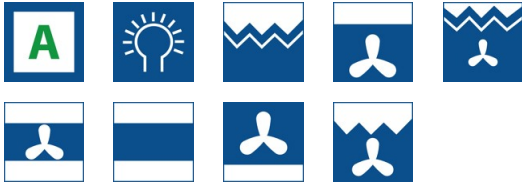




MRA 7108 BK

Cod. 07035409

EAN 8422248077026



GENERAL INFORMATION

| | |
|-----------|---------------|
| EAN/UPC | 8422248077026 |
| Subfamily | Multifunction |

Product sheet

| | |
|---|-------------|
| Energy Efficiency Index (EEI) | 93,8 |
| Energy efficiency class | A |
| Energy consumption in conventional mode (kWh/cycle) | 0,76 |
| Energy consumption in fan mode (kWh/cycle) | 0,75 |
| Heat source | Electricity |
| Appliance mass [Kg] | 28 |
| Number of cavities | 1 |
| Cavity volume (L) | 60 |

Dimensions

| | |
|----------------------|-----|
| Width (mm) | 595 |
| Height (mm) | 595 |
| Depth (mm) | 565 |
| Built-in width (mm) | 560 |
| Built-in height (mm) | 590 |
| Built-in depth (mm) | 566 |

Controls

| | |
|--------------------------|---|
| Control type | Mechanical |
| Display | No |
| Number of functions | 7 |
| Functions | Top_heating_with_fan;Double grill with fan;Double_grill;Light;Top and bottom heating with fan;Bottom_heating_and_fan;Grill and fan;Top and bottom heating |
| Timer | Mechanical |
| On/off indicator | - |
| Thermostat indicator | √ |
| Minimum temperature [°C] | 40 |
| Maximum temperature [°C] | 240 |
| Thermal probe | - |

Characteristics

| | |
|------------------------|-------|
| Cleaning | No |
| Enamel | Black |
| Drop down grill | - |
| Removable inner glass | √ |
| Number of light bulbs | 15 |
| Bulb power [W] | 1 |
| Number of door glasses | 2 |
| Manual door lock | - |
| Soft close | - |
| Cavity type | Flat |
| Side racks | √ |
| Levels | 5 |
| Telescopic guides | No |
| Convection fan | √ |

Safety

| | |
|---------------------------|---|
| Cooling fan | √ |
| Overheating protection | √ |
| Automatic safety shutdown | √ |
| Pyrolysis door lock | - |
| Pyrolysis lock indicator | - |

Electrical connection

| | |
|--|---------|
| Power of the upper heating element [W] | 1000 |
| Lower power of the heating element [W] | 1200 |
| Nominal voltage (V) | 220-240 |
| Nominal frequency (Hz) | 50/60 |
| Nominal input power (W) | 2300 |
| Electric shock protection | Class I |
| Power cord length (m) | 1,25 |
| Plug type | Type F |

Accessories

| | |
|-------------------|---|
| Flat tray | √ |
| Deep tray | √ |
| Steam tray | - |
| Grill | √ |
| Inner grill | - |
| Telescopic guides | - |
| Tray handle | - |
| Removable tank | - |
| Pizza stone | - |
| Roast kit | - |