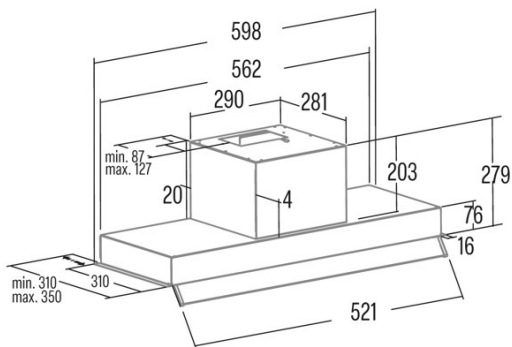




# ARMONIA 60 BK

Cod. **02186409**

EAN **8422248355995**



## GENERAL INFORMATION

|           |               |
|-----------|---------------|
| EAN/UPC   | 8422248355995 |
| Subfamily | Integrated    |

## Product sheet according to directives EU65/2014 - EN61591, EN60704-2-13, EN50564

|   |       |
|---|-------|
| AEC (Annual energy consumption) (kWh/year)    | 100,9 |
| EEl class (energy efficiency class)           | C     |
| FDE (fluid dynamic efficiency)                | 16,3  |
| FDE class (fluid dynamic efficiency class)    | D     |
| LE (light efficiency) (Lux/W)                 | 21,4  |
| LE class (light efficiency class)             | B     |
| GFE (grease filtering efficiency)             | 88,5  |
| GFE class (grease filtering efficiency class) | B     |
| Airflow in normal mode MIN (m3/h)             | 385   |
| Airflow in normal mode MAX (m3/h)             | 645   |
| Acoustic power in normal mode MIN (dB)        | 56    |
| Acoustic power in normal mode MAX (dB)        | 70    |
| Po (energy consumption in off mode) (W)       | 0     |
| Ps (energy consumption in standby mode) (W)   | 0     |

## Integration directive EU 66/2014

|  |       |
|--|-------|
| f (time increase factor)                                   | 1,4   |
| EEl (Energy Efficiency Index)                              | 82,4  |
| QBEP (maximum efficiency at air flow point) (m3/h)         | 375,3 |
| PBEP (maximum efficiency at pressure point) (Pa)           | 295   |
| WBEP (power consumption at maximum efficiency) (W)         | 188,8 |
| WL (nominal power lighting system) (W)                     | 6     |
| EMIDDLE (Average illuminance on the cooking surface) (lux) | 269   |

## External Dimensions

|                           |          |
|---------------------------|----------|
| Width (mm)                | 798      |
| Depth (mm)                | 310      |
| Maximum total height (mm) | 280      |
| Minimum total height (mm) | 280      |
| Diamètre de sortie (mm)   | 150, 125 |

## Characteristics

|                                       |                        |
|---------------------------------------|------------------------|
| Motor quantity                        | 1                      |
| Motor model                           | TA                     |
| Maximum pressure (Pa)                 | 430                    |
| Filter technology                     | Aluminium mesh         |
| Control technology                    | Mechanical push button |
| Booster                               | -                      |
| Power levels                          | 3                      |
| Timer                                 | -                      |
| Filter saturation indicator           | -                      |
| Charcoal filter replacement indicator | -                      |
| Dimmer function                       | -                      |
| Connectivity                          | No                     |
| Remote control                        | -                      |
| Display                               | -                      |

## Lighting

|                |       |
|----------------|-------|
| Light model    | CSLED |
| Ray technology | LED   |

## Installation

|   |     |
|---|-----|
| Minimum distance to electric plate (mm) | 550 |
| Minimum distance to gas plate (mm)      | 650 |
| Recirculation option                    | -   |
| Charcoal filter                         | √   |

|                      |    |
|----------------------|----|
| Back draught shutter | No |
| Inner shield         | -  |

---

**Electric connection**

|                           |          |
|---------------------------|----------|
| Nominal voltage (V)       | 230-240  |
| Nominal frequency (Hz)    | 50       |
| Nominal input power (W)   | 276      |
| Electric shock protection | Class II |
| Plug type                 | No plug  |

---

**Accessories**

|                                 |          |
|---------------------------------|----------|
| Upper decorative duct extension | 02861307 |
| Activated charcoal filter       | 02859392 |
| Noiseless flexible duct         | 02893002 |

---