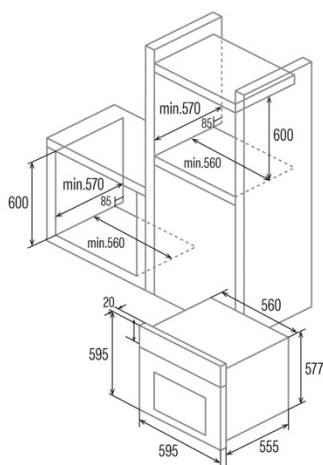
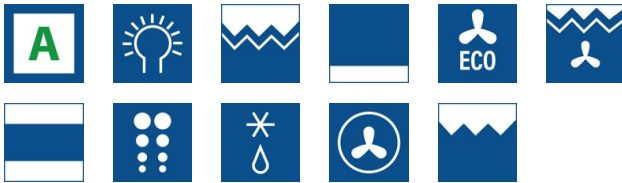




PR 6011 XGBK

Cod. 07001006

EAN 8422248103350



GENERAL INFORMATION

EAN/UPC	8422248103350
Subfamily	Pyrolytic

Product sheet

Energy efficiency class	A
Heat source	Electricity
Number of cavities	1
Cavity volume (L)	70

Dimensions

Width (mm)	595
Height (mm)	595
Depth (mm)	575
Built-in width (mm)	560
Built-in height (mm)	590
Built-in depth (mm)	560

Controls

Control type	Touch control
Display	WHITE
Number of functions	11
Functions	Top_and_bottom_heating_with_fan;Turbocharging;Light;Top and bottom heating;Defrosting;Double Grill;Grill;Double grill with fan;Eco
Timer	Electronic
On/off indicator	√
Thermostat indicator	√
Minimum temperature [°C]	50
Maximum temperature [°C]	250
Thermal probe	-

Characteristics

Cleaning	Pirolisis
Enamel	Black
Drop down grill	-
Removable inner glass	√
Number of light bulbs	25
Bulb power [W]	1
Number of door glasses	4
Manual door lock	√
Soft close	-
Cavity type	Flat
Side racks	√
Levels	5
Telescopic guides	1
Convection fan	√

Safety

Cooling fan	√
Overheating protection	√
Automatic safety shutdown	√
Pyrolysis door lock	√
Pyrolysis lock indicator	√

Electrical connection

Power of the upper heating element [W]	650
Lower power of the heating element [W]	1100
Turbocharger power [W]	2000
Nominal voltage (V)	220-240
Nominal frequency (Hz)	50/60
Nominal input power (W)	3200

Electric shock protection	Class I
Power cord length (m)	1
Plug type	No plug

Accessories

Flat tray	-
Deep tray	√
Steam tray	-
Grill	√
Inner grill	-
Telescopic guides	√
Tray handle	-
Removable tank	-
Pizza stone	-
Roast kit	-
