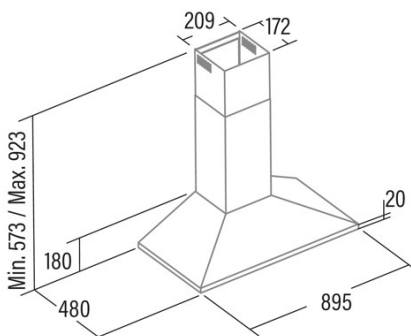




V3-T900 X

Cod. **02063399**

EAN **8422248095303**



GENERAL INFORMATION

EAN/UPC	8422248095303
Subfamily	Chimney

Product sheet according to directives EU65/2014 - EN61591, EN60704-2-13, EN50564

AEC (Annual energy consumption) (kWh/year)	29,8
EEl class (energy efficiency class)	B
FDE (fluid dynamic efficiency)	13,9
FDE class (fluid dynamic efficiency class)	D
LE (light efficiency) (lux/W)	44
LE class (light efficiency class)	A
GFE (grease filtering efficiency)	65,3
GFE class (grease filtering efficiency class)	D
Airflow in normal mode MIN (m3/h)	166,7
Airflow in normal mode MAX (m3/h)	346,1
Acoustic power in normal mode MIN (dB)	51
Acoustic power in normal mode MAX (dB)	66
Po (energy consumption in off mode) (W)	0

Integration directive EU 66/2014

f (time increase factor)	1,5
EEl (Energy Efficiency Index)	66,4
QBEP (maximum efficiency at air flow point) (m3/h)	202,1
PBEP (maximum efficiency at pressure point) (Pa)	129
WBEP (power consumption at maximum efficiency) (W)	52,1
WL (nominal power lighting system) (W)	1,7
EMIDDLE (Average illuminance on the cooking surface) (lux)	74

External Dimensions

Width (mm)	595
Depth (mm)	480
Maximum total height (mm)	923
Minimum total height (mm)	573
Diamètre de sortie (mm)	150

Characteristics

Motor quantity	1
Motor model	TT300
Maximum pressure (Pa)	173,3
Filter technology	Aluminium mesh
Control technology	Mechanical push button
Power levels	3
Timer	-
Filter saturation indicator	-
Charcoal filter replacement indicator	-
Dimmer function	-
Connectivity	No
Remote control	-
Display	-

Lighting

Light model	CSLED
Ray technology	LED

Installation

Recirculation option	√
Charcoal filter	-
Back draught shutter	Included
Inner shield	-

Electric connection

Nominal voltage (V)	220-240
Nominal frequency (Hz)	50
Nominal input power (W)	65
Electric shock protection	Class I
Plug type	No plug

Accessories

Activated charcoal filter	02859495
---------------------------	----------
