



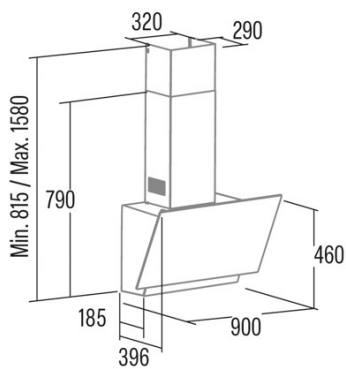
# THALASSA 600 GBK

Cod. **02136406**

EAN **8422248356244**



295



## GENERAL INFORMATION

|           |               |
|-----------|---------------|
| EAN/UPC   | 8422248356244 |
| Subfamily | Angle Glass   |

## Product sheet according to directives EU65/2014 - EN61591, EN60704-2-13, EN50564

|   |        |
|---|--------|
| AEC (Annual energy consumption) (kWh/year)    | 240    |
| EEL class (energy efficiency class)           | A      |
| FDE (fluid dynamic efficiency)                | 29,4   |
| FDE class (fluid dynamic efficiency class)    | A      |
| LE (light efficiency) (Lux/W)                 | 23,7   |
| LE class (light efficiency class)             | B      |
| GFE (grease filtering efficiency)             | Label  |
| GFE class (grease filtering efficiency class) | C      |
| Airflow in normal mode MIN (m3/h)             | 346    |
| Airflow in normal mode MAX (m3/h)             | Safety |
| Airflow in boost mode MIN (m3/h)              | 811    |
| Acoustic power in normal mode MIN (dB)        | 50     |
| Acoustic power in normal mode MAX (dB)        | 65     |
| Acoustic power boost mode (dB)                | 67     |
| Po (energy consumption in off mode) (W)       | 0      |

## Integration directive EU 66/2014

|  |       |
|--|-------|
| <i>f</i> (time increase factor)                            | 0,9   |
| QBEP (maximum efficiency at air flow point) (m3/h)         | 457,2 |
| PBEP (maximum efficiency at pressure point) (Pa)           | 397   |
| WBEP (power consumption at maximum efficiency) (W)         | 171,6 |
| WL (nominal power lighting system) (W)                     | 3     |
| EMIDDLE (Average illuminance on the cooking surface) (lux) | 71    |

## External Dimensions

|                           |     |
|---------------------------|-----|
| Width (mm)                | 600 |
| Depth (mm)                | 375 |
| Minimum total height (mm) | 815 |
| Diamètre de sortie (mm)   | 150 |

## Characteristics

|                                       |                            |
|---------------------------------------|----------------------------|
| Motor model                           | BT3                        |
| Motor power (W)                       | 300                        |
| Maximum pressure (Pa)                 | 450                        |
| Booster                               | Product identity statement |
| Power levels                          | 6                          |
| Timer                                 | 180                        |
| Filter saturation indicator           | Installation manual        |
| Charcoal filter replacement indicator | √                          |
| Connectivity                          | √                          |
| Remote control                        | -                          |
| Display                               | Display                    |

## Lighting

|                |       |
|----------------|-------|
| Light model    | SSLED |
| Ray technology | LED   |

## Installation

|   |     |
|---|-----|
| Minimum distance to electric plate (mm) | 450 |
| Minimum distance to gas plate (mm)      | 0   |
| Recirculation option                    | √   |
| Back draught shutter                    | No  |
| Inner shield                            | -   |

## Electric connection

|                        |       |
|------------------------|-------|
| Nominal frequency (Hz) | 50/60 |
|------------------------|-------|

|                         |         |
|-------------------------|---------|
| Nominal input power (W) | 283     |
| Plug type               | No plug |

---

**Accessories**

|                                 |          |
|---------------------------------|----------|
| Upper decorative duct extension | 02861300 |
| White decorative duct           | 02861001 |
| Black decorative duct           | 02861401 |
| Back draught shutter            | 02832004 |
| Activated charcoal filter       | EMC      |
| Noiseless flexible duct         | 02893002 |

---