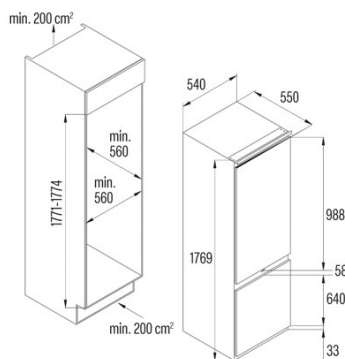




CATA CI-54177 NF

Cod. **07800079**

EAN **8422248350952**



GENERAL INFORMATION

EAN/UPC	8422248350952
Subfamily	Combi

Product sheet according to EU Regulation 2019/2016

Category	7
Energy efficiency class	E
Energy consumption [kWh/year]	233
Refrigerator storage volume [l]	177
Freezer storage volume [l]	64
Star rating	4
Frost-free fridge	√
Frost-free freezer	√
Power cut safety [h]	10
Freezing capacity [kg/24h]	3,2
Climate class	N/ST
Noise emissions [dBA]	41
Installation type	Built-In

Refrigerator equipment

Number of door balconies	3
Number of glass shelves	4
Wine rack	-
Fruit and vegetable drawer	1
Meat and fish chiller	0
Metallic interior decoration	√
Number of egg trays	1
Egg capacity	1-6

Freezer equipment

Number of drawers	3
Number of closed drawers	2
Ice trays	1
Ice cube capacity	1-12

Illumination

Refrigerator light	√
Freezer light	-
LED light	√

Power and water connection

Nominal voltage (V)	220-240
Nominal frequency (Hz)	50
Nominal input power (W)	160
Electric shock protection	Class I
Power cord length (m)	1800
Plug type	Type F

Control

Control type	Electronic
Display	LCD
Cooling system	Static
Electronic regulation of refrigerator temperature	√
Electronic regulation of freezer temperature	√
Super cooling function	√
Super freezing function	√
Public holiday celebration	-
Winter-summer function	-

Installation

Width (mm)	540
Height (mm)	1769

Depth (mm)	550
Built-in width (mm)	560
Built-in depth (mm)	560
Reversible doors	√
Wheels	-
Door opening side	Right