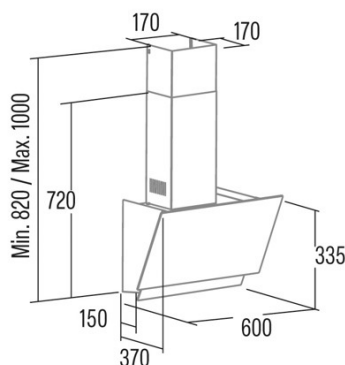




# JUNO 6000 GBK 220-240V 50/60Hz

Cod. 02027700

EAN 8422248355599



## GENERAL INFORMATION

|           |               |
|-----------|---------------|
| EAN/UPC   | 8422248355599 |
| Subfamily | Angle Glass   |

## Product sheet according to directives EU65/2014 - EN61591, EN60704-2-13, EN50564

|   |       |
|---|-------|
| AEC (Annual energy consumption) (kWh/year)    | 459   |
| EEl class (energy efficiency class)           | A+    |
| FDE (fluid dynamic efficiency)                | 27,6  |
| FDE class (fluid dynamic efficiency class)    | A     |
| LE (light efficiency) (Lux/W)                 | 32    |
| LE class (light efficiency class)             | A     |
| GFE (grease filtering efficiency)             | 67,9  |
| GFE class (grease filtering efficiency class) | D     |
| Airflow in normal mode MIN (m3/h)             | 170   |
| Airflow in normal mode MAX (m3/h)             | 387,5 |
| Airflow in boost mode MIN (m3/h)              | 428   |
| Acoustic power in normal mode MIN (dB)        | 80    |
| Acoustic power in normal mode MAX (dB)        | 64    |
| Acoustic power boost mode (dB)                | 70    |
| Po (energy consumption in off mode) (W)       | 0,46  |
| Ps (energy consumption in standby mode) (W)   | 0     |

## Integration directive EU 66/2014

|  |      |
|--|------|
| f (time increase factor)                                   | 0,9  |
| EEl (Energy Efficiency Index)                              | 402  |
| QBEP (maximum efficiency at air flow point) (m3/h)         | 213  |
| PBEP (maximum efficiency at pressure point) (Pa)           | 261  |
| WBEP (power consumption at maximum efficiency) (W)         | 60,3 |
| WL (nominal power lighting system) (W)                     | 3    |
| EMIDDLE (Average illuminance on the cooking surface) (lux) | 161  |

## External Dimensions

|                           |      |
|---------------------------|------|
| Width (mm)                | 600  |
| Depth (mm)                | 370  |
| Maximum total height (mm) | 1000 |
| Minimum total height (mm) | 820  |
| Diamètre de sortie (mm)   | 150  |

## Characteristics

|                                       |                          |
|---------------------------------------|--------------------------|
| Motor quantity                        | 1                        |
| Motor model                           | EY450 400 A              |
| Maximum pressure (Pa)                 | 230                      |
| Filter technology                     | Aluminium mesh           |
| Control technology                    | Electronic Touch Control |
| Booster                               | √                        |
| Power levels                          | 6                        |
| Timer                                 | √                        |
| Filter saturation indicator           | √                        |
| Charcoal filter replacement indicator | √                        |
| Dimmer function                       | √                        |
| Connectivity                          | √                        |
| Remote control                        | -                        |
| Display                               | Display_grafico          |

## Lighting

|                |       |
|----------------|-------|
| Light model    | CSLED |
| Ray technology | LED   |

## Installation

|   |     |
|---|-----|
| Minimum distance to electric plate (mm) | 400 |
| Minimum distance to gas plate (mm)      | 650 |

|                      |    |
|----------------------|----|
| Recirculation option | √  |
| Charcoal filter      | -  |
| Back draught shutter | No |
| Inner shield         | -  |

---

**Electric connection**

|                           |         |
|---------------------------|---------|
| Nominal voltage (V)       | 220-240 |
| Nominal frequency (Hz)    | 50/60   |
| Nominal input power (W)   | 73      |
| Electric shock protection | Class I |
| Plug type                 | No plug |

---

**Accessories**

|                           |           |
|---------------------------|-----------|
| Activated charcoal filter | '02859488 |
| Noiseless flexible duct   | '02893002 |

---