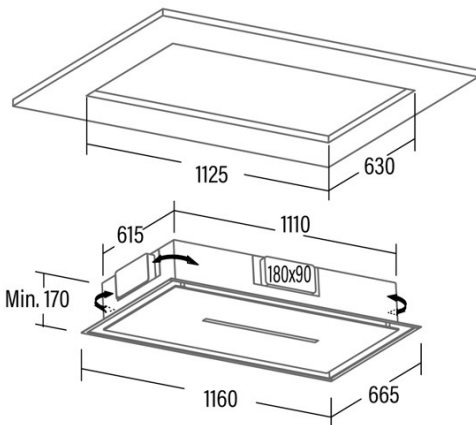
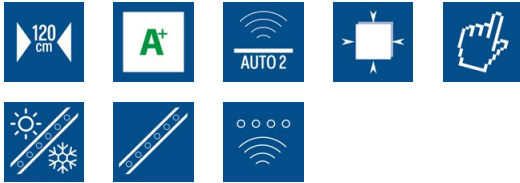




ISLA BENNU SLIM 1200 X

Cod. 02111309

EAN 8422248112642



GENERAL INFORMATION

EAN/UPC	8422248112642
Subfamily	Ceiling

Product sheet according to directives EU65/2014 - EN61591, EN60704-2-13, EN50564

AEC (Annual energy consumption) (kWh/year)	44,1
EEl class (energy efficiency class)	B
FDE (fluid dynamic efficiency)	25,2
FDE class (fluid dynamic efficiency class)	B
LE (light efficiency) (Lux/W)	23,7
LE class (light efficiency class)	B
GFE (grease filtering efficiency)	91,2
GFE class (grease filtering efficiency class)	B
Airflow in normal mode MIN (m3/h)	300
Airflow in normal mode MAX (m3/h)	500
Airflow in boost mode MIN (m3/h)	620
Acoustic power in normal mode MIN (dB)	50
Acoustic power in normal mode MAX (dB)	65
Acoustic power boost mode (dB)	67
Po (energy consumption in off mode) (W)	0,3
Ps (energy consumption in standby mode) (W)	0

Integration directive EU 66/2014

f (time increase factor)	1,1
EEl (Energy Efficiency Index)	60,7
QBEP (maximum efficiency at air flow point) (m3/h)	326,9
PBEP (maximum efficiency at pressure point) (Pa)	269,4
WBEP (power consumption at maximum efficiency) (W)	97,1
WL (nominal power lighting system) (W)	7
EMIDDLE (Average illuminance on the cooking surface) (lux)	166

External Dimensions

Width (mm)	1160
Depth (mm)	665
Maximum total height (mm)	170
Minimum total height (mm)	170
Diamètre de sortie (mm)	180x90

Characteristics

Motor quantity	1
Motor model	S6
Maximum pressure (Pa)	470
Filter technology	Aluminium mesh
Control technology	TFT
Booster	√
Power levels	4
Timer	√
Filter saturation indicator	-
Charcoal filter replacement indicator	-
Dimmer function	√
Connectivity	Auto
Remote control	√
Display	Display

Lighting

Light model	ECOLED
Ray technology	LED

Installation

Minimum distance to electric plate (mm)	550
Minimum distance to gas plate (mm)	650

Recirculation option	√
Charcoal filter	√
Back draught shutter	No
Inner shield	-

Electric connection

Nominal voltage (V)	220-240
Nominal frequency (Hz)	50
Nominal input power (W)	112
Electric shock protection	Class I

Accessories

Activated charcoal filter	02800922
---------------------------	----------
