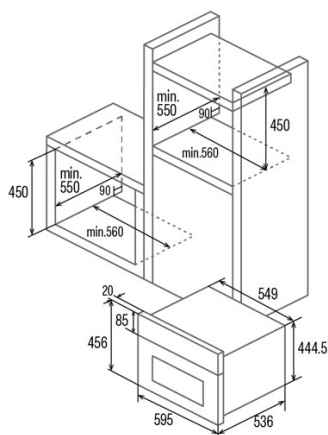




MD 5007 BK

Cod. 07003004

EAN 8422248372909



GENERAL INFORMATION

EAN/UPC	8422248372909
Subfamily	Turbo

Product sheet

Energy Efficiency Index (EEI)	97,2
Energy efficiency class	A
Energy consumption in conventional mode (kWh/cycle)	0,76
Energy consumption in fan mode (kWh/cycle)	0,70
Heat source	Electricity
Number of cavities	1
Cavity volume (L)	44

Dimensions

Width (mm)	595
Height (mm)	572
Depth (mm)	485
Built-in width (mm)	564
Built-in height (mm)	593
Built-in depth (mm)	550

Controls

Control type	Mechanical
Display	RED
Number of functions	7
Functions	Top_and_bottom_heating_with_fan;Grill and bottom heating;Double grill with fan;Fan;Double Grill;Bottom heating with fan
Timer	Electronic
Minimum temperature [°C]	50
Maximum temperature [°C]	250

Characteristics

Cleaning	Aquasmart
Enamel	Pyrolytic
Light type	LED
Bulb power [W]	1
Number of door glasses	3

Safety

Cooling fan	√
-------------	---

Electrical connection

Turbocharger power [W]	2380
Nominal voltage (V)	220-240
Nominal frequency (Hz)	50/60
Nominal input power (W)	2000