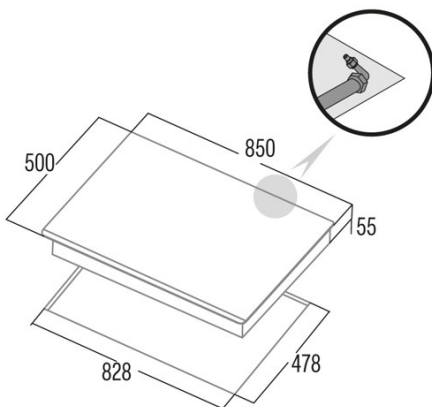




## LGI 9041 X

Cod. **08005350**

EAN **8422248081948**



### GENERAL INFORMATION

EAN/UPC	8422248081948
Subfamily	Gas

### Product sheet

Number of cooking zones	5
Zone 1: Technology	GAS
Zone 1: Type of zone	Triple
Zone 1: Position	Centre
Zone 1: Power (kW)	3,5
Zone 2: Technology	GAS
Zone 2: Type of zone	Rapid
Zone 2: Position	Rear Right
Zone 2: Power (kW)	3
Zone 3: Technology	GAS
Zone 3: Type of zone	Semirapid
Zone 3: Position	Front Left
Zone 3: Power (kW)	1,75
Zone 4: Technology	GAS
Zone 4: Type of zone	Auxiliary
Zone 4: Position	Front Left
Zone 4: Power (kW)	1
Zone 5: Technology	GAS
Zone 5: Type of zone	Semirapid
Zone 5: Position	Rear Right
Zone 5: Power (kW)	1,75

### Dimensions

Width (mm)	850
Height (mm)	55
Depth (mm)	500
Built-in width (mm)	828
Built-in depth (mm)	478
Easy installation system	Clamping System

### Finishing

Material	Stainless Steel
Bevel	No
Frame	No
Cooking supports	Cast Iron

### Control

Control type	Mechanical
Control position	Front Centre
Independent zone control	√
Hidden control	-
Power levels	Gradual
Cooking time programming	-
Countdown alarm	-
Power management	-
Available power limits (kW)	No
Connectivity	No
Autoignition	220-240V

### Safety

Safety lock	-
Child lock	No
Residual heat indicator	-
Automatic cookware detection	-
Smart cookware detection	-
Automatic safety shutdown	-
Liquid spill detection	-

Safety valve	√
--------------	---

---

**Electrical connection**

Nominal voltage (V)	220-240
Nominal frequency (Hz)	50/60
Nominal input power (W)	11
Multiphase connection option	2 phases
Electric shock protection	Class I
Plug type	No plug

---

**Accessories**

Barbecue grill	No
----------------	----

---