



# CCI 6031 BK

Cod. 08041501

EAN 8422248073691



## GENERAL INFORMATION

EAN/UPC	8422248073691
Subfamily	Gas

## Product sheet

Number of cooking zones	4
Zone 1: Technology	GAS
Zone 1: Type of zone	Triple
Zone 1: Position	Front Left
Zone 1: Power (kW)	3,5
Zone 3: Technology	GAS
Zone 3: Type of zone	Semirapid
Zone 3: Position	Rear Left
Zone 3: Power (kW)	1,75
Zone 4: Technology	GAS
Zone 4: Type of zone	Auxiliary
Zone 4: Position	Front Right
Zone 4: Power (kW)	1
Zone 5: Technology	GAS
Zone 5: Type of zone	Semirapid
Zone 5: Position	Rear Right
Zone 5: Power (kW)	1,75

## Dimensions

Width (mm)	590
Height (mm)	52
Depth (mm)	510
Built-in width (mm)	555
Built-in depth (mm)	475
Easy installation system	Clamping System

## Finishing

Material	Glass
Bevel	No
Frame	No
Cooking supports	Cast Iron

## Control

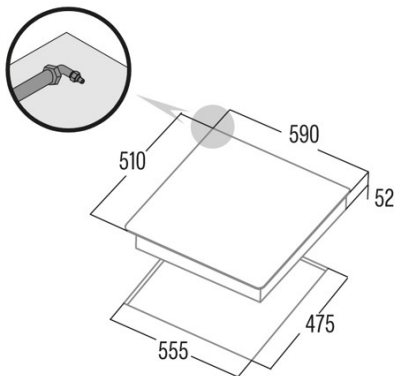
Control type	Mechanical
Control position	Front Right
Independent zone control	√
Hidden control	-
Power levels	Gradual
Cooking time programming	-
Countdown alarm	-
Power management	-
Available power limits (kW)	No
Connectivity	No
Autoignition	220-240V

## Safety

Safety lock	-
Child lock	No
Residual heat indicator	-
Automatic cookware detection	-
Smart cookware detection	-
Automatic safety shutdown	-
Liquid spill detection	-
Safety valve	√

## Electrical connection

Nominal voltage (V)	220-240
---------------------	---------



Nominal frequency (Hz)	50/60
Nominal input power (W)	8
Multiphase connection option	2 phases
Electric shock protection	Class I
Plug type	No plug

---

**Accessories**

Barbecue grill	No
----------------	----

---