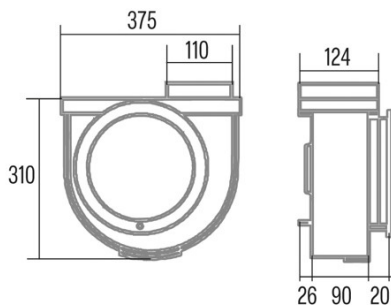




### GS-600

Cod. 00116002

EAN 8422248100601



#### GENERAL INFORMATION

EAN/UPC	8422248100601
Subfamily	Kitchen Extractor

#### Product sheet according to directives EU65/2014 - EN61591, EN60704-2-13, EN50564

AEC (Annual energy consumption) (kWh/year)	51,7
EEl class (energy efficiency class)	C
FDE (fluid dynamic efficiency)	12,5
FDE class (fluid dynamic efficiency class)	E
LE class (light efficiency class)	N_A
GFE class (grease filtering efficiency class)	N_A
Airflow in normal mode MAX (m3/h)	480
Acoustic power in normal mode MAX (dB)	50
Po (energy consumption in off mode) (W)	0
Ps (energy consumption in standby mode) (W)	0

#### Integration directive EU 66/2014

f (time increase factor)	1,6
EEl (Energy Efficiency Index)	78,9
QBEP (maximum efficiency at air flow point) (m3/h)	311,7
PBEP (maximum efficiency at pressure point) (Pa)	131,6
WBEP (power consumption at maximum efficiency) (W)	91,4

#### External Dimensions

Width (mm)	375
Depth (mm)	136
Minimum total height (mm)	650
Diamètre de sortie (mm)	110

#### Characteristics

Motor quantity	1
Maximum pressure (Pa)	200
Free out airflow (m3/h)	480
Booster	-
Timer	-
Charcoal filter replacement indicator	-
Remote control	-

#### Installation

Minimum distance to electric plate (mm)	65
Minimum distance to gas plate (mm)	650
Recirculation option	-
Charcoal filter	-
Back draught shutter	-
Inner shield	-

#### Electric connection

Nominal voltage (V)	230
Nominal frequency (Hz)	50
Nominal input power (W)	105
Electric shock protection	Class I
Power cord length (m)	0,5
Plug type	No plug

#### Accessories

Upper decorative duct extension	N_A
White decorative duct	N_A
Black decorative duct	N_A
Island tube booster	N_A
Back draught shutter	N_A
MAX PRO Metal filter	N_A

Activated charcoal filter	N_A
Noiseless flexible duct	N_A
Recirculation kit	N_A