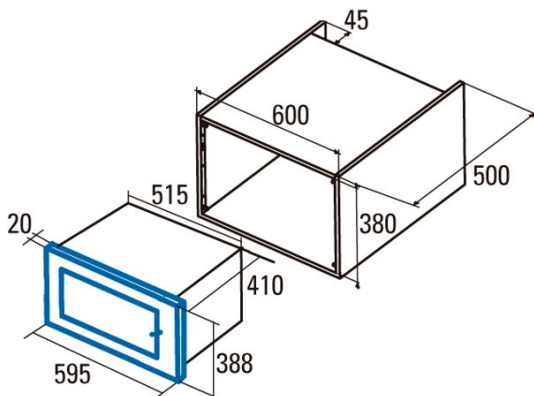




## MC 25 GTC WH

Cod. **07510000**

EAN **8422248055260**



### GENERAL INFORMATION

EAN/UPC	8422248055260
Subfamily	Built-in

### Dimensions

Cavity height [mm]	595
Cavity width [mm]	388
Cavity depth [mm]	400
Cavity capacity [L]	25
Cavity type	Stainless steel
Width (mm)	208
Height (mm)	328
Depth (mm)	369
Built-in width (mm)	560
Inner height (mm)	380
Built-in depth (mm)	500

### Characteristics

Installation type	Built_in
Door opening system	Push button
Inside the light	√

### Control

Control type	Electronic
Display	LCD
Display colour	RED
Timer	Electronic
Maximum timer setting [mins.]	95
Start/Stop button	√
Power selector	√
Function selector	√
Temperature selector	√
Weight selector	√
Number of functions	8
Functions	Grill; Simultaneous grill + microwave; Defrosting; Heating and cooking by food type; Quick start

### Safety

Safety thermostat	√
Automatic safety disconnection	-
Child lock	√
Number of glasses in the door	1

### Power connection

Grill power [kW]	1
Microwave power [W]	900
Nominal power [W]	1450
Voltage [V]	230
Frequency [Hz]	50
Power cord length [m]	1000
Plug type	Type F

### Accessories

Built in frame	Included
Ventilation kit	-
Removable rotatory glass	√
Diameter of the glass dish [mm]	315

