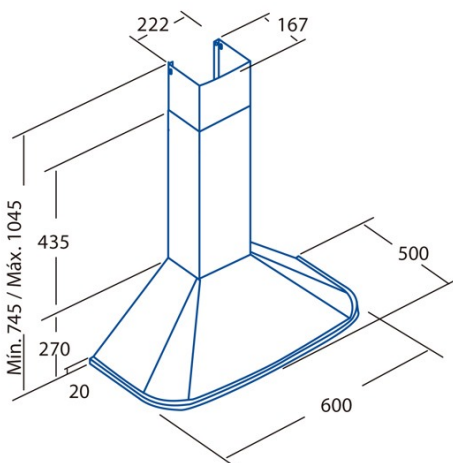




NEBLIA 600 X

Cod. **02052300**

EAN **8422248017602**



GENERAL INFORMATION

| | |
|-----------|---------------|
| EAN/UPC | 8422248017602 |
| Subfamily | Chimney |

External Dimensions

| | |
|---------------------------|----------|
| Width (mm) | 900 |
| Depth (mm) | 560 |
| Maximum total height (mm) | 1140 |
| Minimum total height (mm) | 720 |
| Diamètre de sortie (mm) | 150, 125 |

Characteristics

| | |
|---------------------------------------|------------------------|
| Motor quantity | 1 |
| Motor model | TA |
| Maximum pressure (Pa) | 430 |
| Free out airflow (m3/h) | 1115 |
| Filter technology | Aluminium mesh |
| Control technology | Mechanical push button |
| Booster | - |
| Power levels | 3 |
| Timer | - |
| Filter saturation indicator | - |
| Charcoal filter replacement indicator | - |
| Dimmer function | - |
| Connectivity | - |
| Remote control | - |
| Display | - |

Lighting

| | |
|----------------|-------------|
| Light model | Halogen_E14 |
| Ray technology | Halogen |

Installation

| | |
|---|-----|
| Minimum distance to electric plate (mm) | 650 |
| Minimum distance to gas plate (mm) | 650 |
| Recirculation option | √ |
| Charcoal filter | - |
| Back draught shutter | - |
| Inner shield | - |

Electric connection

| | |
|---------------------------|----------|
| Nominal voltage (V) | 220-240 |
| Nominal frequency (Hz) | 50 |
| Nominal input power (W) | 277 |
| Electric shock protection | Class II |
| Power cord length (m) | 1,5 |
| Plug type | Type C |

Accessories

| | |
|---------------------------------|---------|
| Upper decorative duct extension | 2885300 |
| White decorative duct | No |
| Black decorative duct | No |
| Island tube booster | No |
| Back draught shutter | 2832001 |
| MAX PRO Metal filter | 2800917 |
| Activated charcoal filter | 2859391 |
| Noiseless flexible duct | 2893002 |
| Recirculation kit | No |

