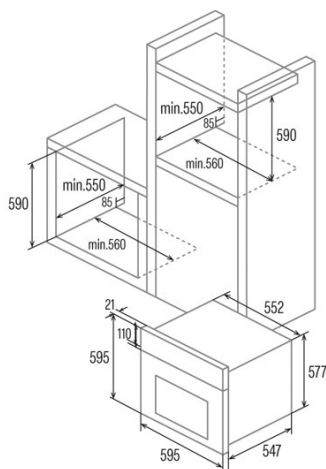
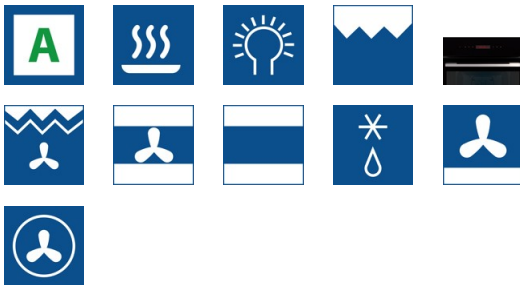




# MT 8012 BK

Cod. 07002411

EAN 8422248094009



## GENERAL INFORMATION

EAN/UPC	8422248094009
Subfamily	Multifunction

## Product sheet

Energy Efficiency Index (EEI)	2
Energy consumption in conventional mode (kWh/cycle)	-
Energy consumption in fan mode (kWh/cycle)	0,81
Heat source	Electricity
Appliance mass [Kg]	,5
Number of cavities	1
Cavity volume (L)	72

## Dimensions

Width (mm)	595
Height (mm)	595
Depth (mm)	568
Built-in width (mm)	560
Built-in height (mm)	660

## Controls

Display	LCD
Number of functions	12
On/off indicator	√
Minimum temperature [°C]	50
Thermal probe	-

## Characteristics

Enamel	Black
Removable inner glass	108
Number of light bulbs	-
Bulb power [W]	1
Number of door glasses	3
Manual door lock	-
Soft close	580
Cavity type	Flat
Side racks	√
Levels	5
Telescopic guides	1
Convection fan	√

## Safety

Cooling fan	√
Overheating protection	√
Automatic safety shutdown	√
Pyrolysis door lock	-

## Electrical connection

Power of the upper heating element [W]	900
Lower power of the heating element [W]	220-240
Turbocharger power [W]	Light;Grill;Bottom heating;Top and bottom heating
Nominal voltage (V)	29
Nominal frequency (Hz)	50/60
Nominal input power (W)	2380
Electric shock protection	Class I
Power cord length (m)	1

## Accessories

Flat tray	50/60
Deep tray	√
Steam tray	-

Grill	√
Inner grill	-
Telescopic guides	1350 + 900
Tray handle	-
Removable tank	-
Roast kit	-