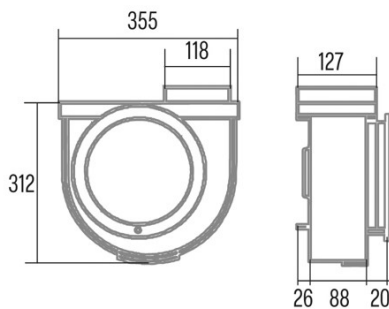




GS-600 PLUS 2 VEL.

Cod. 00116110

EAN 8422248006316



GENERAL INFORMATION

| | |
|-----------|-------------------|
| EAN/UPC | 8422248006316 |
| Subfamily | Kitchen Extractor |

Product sheet according to directives EU65/2014 - EN61591, EN60704-2-13, EN50564

| | |
|---|------|
| AEC (Annual energy consumption) (kWh/year) | 54,8 |
| EEL class (energy efficiency class) | C |
| FDE (fluid dynamic efficiency) | 9,3 |
| FDE class (fluid dynamic efficiency class) | E |
| LE class (light efficiency class) | N_A |
| GFE (grease filtering efficiency) | 51,9 |
| GFE class (grease filtering efficiency class) | F |
| Airflow in normal mode MIN (m3/h) | 420 |
| Airflow in normal mode MAX (m3/h) | 600 |
| Acoustic power in normal mode MIN (dB) | 45 |
| Acoustic power in normal mode MAX (dB) | 52 |
| Po (energy consumption in off mode) (W) | 0 |
| Ps (energy consumption in standby mode) (W) | 0 |

Integration directive EU 66/2014

| | |
|--|-------|
| f (time increase factor) | 1,7 |
| EEL (Energy Efficiency Index) | 84,5 |
| QBEP (maximum efficiency at air flow point) (m3/h) | 285,9 |
| PBEP (maximum efficiency at pressure point) (Pa) | 105 |
| WBEP (power consumption at maximum efficiency) (W) | 90,1 |

External Dimensions

| | |
|---------------------------|-----|
| Width (mm) | 355 |
| Depth (mm) | 134 |
| Minimum total height (mm) | 650 |
| Diamètre de sortie (mm) | 118 |

Characteristics

| | |
|---------------------------------------|------------|
| Motor quantity | 1 |
| Maximum pressure (Pa) | 205 |
| Free out airflow (m3/h) | 600 |
| Filter technology | Malla |
| Control technology | Commutator |
| Booster | - |
| Power levels | 2 |
| Timer | - |
| Filter saturation indicator | - |
| Charcoal filter replacement indicator | - |
| Remote control | - |

Installation

| | |
|---|-----|
| Minimum distance to electric plate (mm) | 65 |
| Minimum distance to gas plate (mm) | 650 |
| Recirculation option | - |
| Charcoal filter | - |
| Back draught shutter | - |
| Inner shield | - |

Electric connection

| | |
|---------------------------|---------|
| Nominal voltage (V) | 230 |
| Nominal frequency (Hz) | 50 |
| Nominal input power (W) | 105 |
| Electric shock protection | Class I |
| Power cord length (m) | 0,5 |
| Plug type | No plug |

Accessories

| | |
|---------------------------------|-----|
| Upper decorative duct extension | N_A |
| White decorative duct | N_A |
| Black decorative duct | N_A |
| Island tube booster | N_A |
| Back draught shutter | N_A |
| MAX PRO Metal filter | N_A |
| Activated charcoal filter | N_A |
| Noiseless flexible duct | N_A |
| Recirculation kit | N_A |