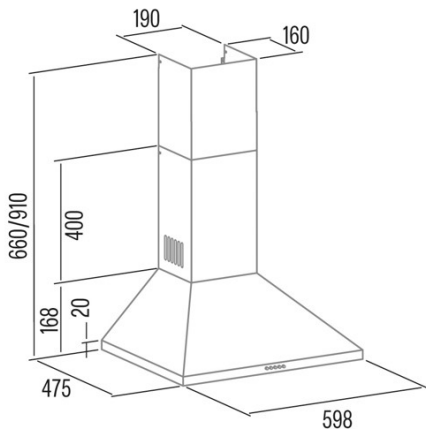




V-6000 X

Cod. 02002397

EAN 8422248106351



GENERAL INFORMATION

EAN/UPC	8422248106351
Subfamily	Chimney

Product sheet according to directives EU65/2014 - EN61591, EN60704-2-13, EN50564

AEC (Annual energy consumption) (kWh/year)	59
EEl class (energy efficiency class)	C
FDE (fluid dynamic efficiency)	11,3
FDE class (fluid dynamic efficiency class)	E
LE (light efficiency) (Lux/W)	28,6
LE class (light efficiency class)	A
GFE (grease filtering efficiency)	62,5
GFE class (grease filtering efficiency class)	E
Airflow in normal mode MIN (m3/h)	318,4
Airflow in normal mode MAX (m3/h)	479,5
Acoustic power in normal mode MIN (dB)	52
Acoustic power in normal mode MAX (dB)	64
Po (energy consumption in off mode) (W)	0

Integration directive EU 66/2014

f (time increase factor)	1,6
EEl (Energy Efficiency Index)	83,5
QBEP (maximum efficiency at air flow point) (m3/h)	239,7
PBEP (maximum efficiency at pressure point) (Pa)	166
WBEP (power consumption at maximum efficiency) (W)	97,9
WL (nominal power lighting system) (W)	3
EMIDDLE (Average illuminance on the cooking surface) (lux)	85,8

External Dimensions

Width (mm)	600
Depth (mm)	470
Maximum total height (mm)	870
Minimum total height (mm)	570
Diamètre de sortie (mm)	150, 125

Characteristics

Motor quantity	1
Maximum pressure (Pa)	227
Filter technology	Aluminium mesh
Control technology	Mechanical push button
Booster	-
Timer	-
Filter saturation indicator	-
Charcoal filter replacement indicator	-
Dimmer function	-
Connectivity	No
Remote control	-
Display	-

Lighting

Light model	LED E-14
Ray technology	LED

Installation

Minimum distance to electric plate (mm)	650
Minimum distance to gas plate (mm)	650
Recirculation option	√
Charcoal filter	-
Back draught shutter	Included
Inner shield	-

Electric connection

Nominal voltage (V)	220-240
Nominal frequency (Hz)	50
Nominal input power (W)	123
Electric shock protection	Class I

Accessories

Upper decorative duct extension	02863304
Activated charcoal filter	02859496
Noiseless flexible duct	02893002