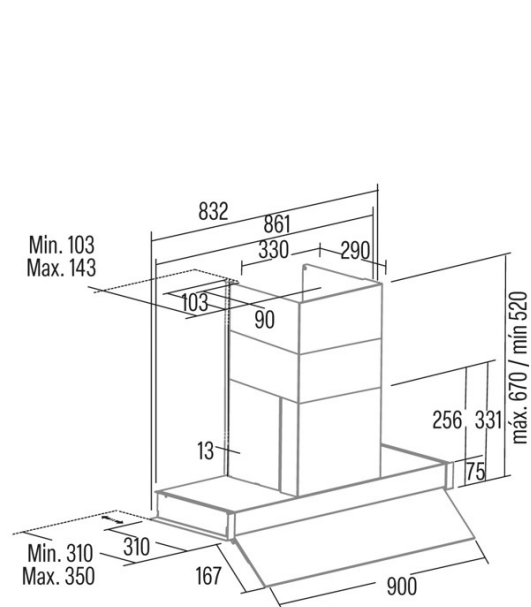




# RENOVA PURE AIR MNV90 GWH

Cod. **02189020**

EAN **8422248344692**



## GENERAL INFORMATION

EAN/UPC	8422248344692
Subfamily	Integrated

## External Dimensions

Width (mm)	900
Depth (mm)	350
Maximum total height (mm)	331
Minimum total height (mm)	331

## Characteristics

Motor quantity	1
Motor model	BT4DC
Maximum pressure (Pa)	357
Filter technology	Aluminium mesh
Control technology	TFT
Booster	√
Power levels	6
Timer	√
Filter saturation indicator	√
Charcoal filter replacement indicator	√
Dimmer function	√
Connectivity	√
Remote control	-
Display	Display

## Lighting

Light model	SSLED BICOLOR
Ray technology	LED

## Installation

Minimum distance to electric plate (mm)	550
Minimum distance to gas plate (mm)	650
Recirculation option	√
Charcoal filter	√

## Electric connection

Nominal voltage (V)	220-240
Nominal frequency (Hz)	50
Nominal input power (W)	158
Electric shock protection	Class I
Plug type	Type A