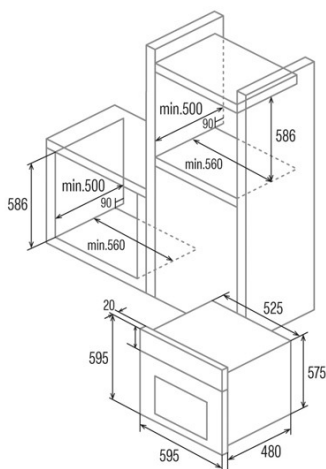




CM 760 AS WH

Cod. 07032002

EAN 8422248058568



GENERAL INFORMATION

EAN/UPC	8422248058568
Subfamily	Multifunction

Product sheet

Energy Efficiency Index (EEI)	117,1
Energy efficiency class	A
Energy consumption in conventional mode (kWh/cycle)	0,89
Energy consumption in fan mode (kWh/cycle)	0,81
Heat source	Electricity
Appliance mass [Kg]	35
Number of cavities	1
Cavity volume (L)	50

Dimensions

Width (mm)	595
Height (mm)	595
Depth (mm)	480
Built-in width (mm)	560
Built-in height (mm)	586
Built-in depth (mm)	500

Controls

Control type	Mechanical
Display	No
Number of functions	6
Functions	Double_grill_with_fan;Top and bottom heating;Light;Defrosting;Bottom heating with fan;Top and bottom heating with fan
Timer	Mechanical
On/off indicator	√
Thermostat indicator	√
Minimum temperature [°C]	50
Maximum temperature [°C]	250
Thermal probe	-

Characteristics

Cleaning	No
Enamel	Black
Drop down grill	-
Removable inner glass	√
Number of light bulbs	25
Bulb power [W]	1
Number of door glasses	2
Manual door lock	-
Soft close	-
Cavity type	Embossed
Side racks	-
Levels	5
Telescopic guides	No
Convection fan	√

Safety

Cooling fan	√
Overheating protection	√
Automatic safety shutdown	√
Pyrolysis door lock	-
Pyrolysis lock indicator	-

Electrical connection

Lower power of the heating element [W]	1300
--	------

Nominal voltage (V)	220-240
Nominal frequency (Hz)	50/60
Nominal input power (W)	2450
Electric shock protection	Class I
Power cord length (m)	1
Plug type	No plug

Accessories

Flat tray	-
Deep tray	√
Steam tray	-
Grill	√
Inner grill	-
Telescopic guides	-
Tray handle	-
Removable tank	-
Pizza stone	-
Roast kit	-