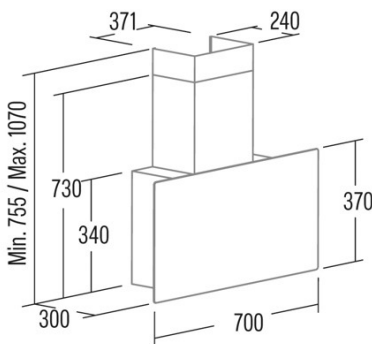




# GRECO 70 WH CATA&ROCA

Cod. 02133007

EAN 8422248084123



## GENERAL INFORMATION

|           |               |
|-----------|---------------|
| EAN/UPC   | 8422248084123 |
| Subfamily | Angle Glass   |

## Product sheet according to directives EU65/2014 - EN61591, EN60704-2-13, EN50564

|   |      |
|---|------|
| AEC (Annual energy consumption) (kWh/year)    | 56,3 |
| EEl class (energy efficiency class)           | A    |
| FDE (fluid dynamic efficiency)                | 30,6 |
| FDE class (fluid dynamic efficiency class)    | A    |
| LE (light efficiency) (Lux/W)                 | 28,7 |
| LE class (light efficiency class)             | A    |
| GFE (grease filtering efficiency)             | 91,2 |
| GFE class (grease filtering efficiency class) | B    |
| Airflow in normal mode MIN (m3/h)             | 340  |
| Airflow in normal mode MAX (m3/h)             | 600  |
| Airflow in boost mode MIN (m3/h)              | 850  |
| Acoustic power in normal mode MIN (dB)        | 50   |
| Acoustic power in normal mode MAX (dB)        | 65   |
| Acoustic power boost mode (dB)                | 67   |
| Po (energy consumption in off mode) (W)       | 0,43 |
| Ps (energy consumption in standby mode) (W)   | 0    |

## Integration directive EU 66/2014

|  |       |
|--|-------|
| <i>f</i> (time increase factor)                            | 0,9   |
| EEl (Energy Efficiency Index)                              | 53,7  |
| QBEP (maximum efficiency at air flow point) (m3/h)         | 416,9 |
| PBEP (maximum efficiency at pressure point) (Pa)           | 411   |
| WBEP (power consumption at maximum efficiency) (W)         | 155,7 |
| WL (nominal power lighting system) (W)                     | 7     |
| EMIDDLE (Average illuminance on the cooking surface) (lux) | 201   |

## External Dimensions

|                           |          |
|---------------------------|----------|
| Width (mm)                | 700      |
| Depth (mm)                | 290      |
| Maximum total height (mm) | 1160     |
| Minimum total height (mm) | 845      |
| Diamètre de sortie (mm)   | 150, 125 |

## Characteristics

|                                       |                          |
|---------------------------------------|--------------------------|
| Motor quantity                        | 1                        |
| Motor model                           | BT3                      |
| Maximum pressure (Pa)                 | 450                      |
| Filter technology                     | Aluminium mesh           |
| Control technology                    | Electronic Touch Control |
| Booster                               | √                        |
| Power levels                          | 4                        |
| Timer                                 | √                        |
| Filter saturation indicator           | √                        |
| Charcoal filter replacement indicator | -                        |
| Dimmer function                       | √                        |
| Connectivity                          | -                        |
| Remote control                        | -                        |
| Display                               | Display_grafico          |

## Lighting

|                |          |
|----------------|----------|
| Light model    | ECOLED 2 |
| Ray technology | LED      |

## Installation

|   |     |
|---|-----|
| Minimum distance to electric plate (mm) | 530 |
| Minimum distance to gas plate (mm)      | 650 |

|                      |   |
|----------------------|---|
| Recirculation option | √ |
| Charcoal filter      | - |
| Back draught shutter | - |
| Inner shield         | - |

---

#### **Electric connection**

|                           |          |
|---------------------------|----------|
| Nominal voltage (V)       | 220-240  |
| Nominal frequency (Hz)    | 50       |
| Nominal input power (W)   | 287      |
| Electric shock protection | Class II |
| Plug type                 | Type C   |

---

#### **Accessories**

|                                 |         |
|---------------------------------|---------|
| Upper decorative duct extension | 2861303 |
| White decorative duct           | 2861003 |
| Black decorative duct           | No      |
| Island tube booster             | No      |
| Back draught shutter            | 2832004 |
| MAX PRO Metal filter            | No      |
| Activated charcoal filter       | 2859398 |
| Noiseless flexible duct         | 2893002 |
| Recirculation kit               | No      |

---